

© Heidelberg DTP 2001, © Kim The CD Man 2001

**TRIUMPH**  
**REPLACEMENT**  
**PARTS**  
**CATALOGUE No. 7**

**UNIT CONSTRUCTION 650 c.c. TWINS**

TR6 TROPHY

T120 BONNEVILLE 120

From engine No. DU 85904

**UK & General Export Edition**

**TRIUMPH ENGINEERING COMPANY LIMITED**  
**MERIDEN WORKS · ALLESLEY · COVENTRY · ENGLAND**  
**TELEPHONE MERIDEN 331**                      **TELEGRAMS "TRUSTY COVENTRY"**

PUBLISHED SEPTEMBER 1968

REF. SPC.9.

## TRIUMPH GUARANTEE

1. In this Guarantee the word "machine" refers to the motor cycle, scooter, motor cycle combination or sidecar as the case may be, purchased by the Purchaser.
2. In order to obtain the benefit of this Guarantee, the Purchaser must have correctly completed the registration form and returned it to us within fourteen days of the purchase.
3. We will supply, free of charge, a new part in exchange for, or, if we consider repair sufficient, will repair free of charge any part proved within six months of the date of purchase of any new machine, (three months overseas) or within three months of its renewal or repair in the case of a part already renewed or repaired, to be defective by reason of our faulty workmanship or materials. We do not undertake to bear the cost of fitting such new or repaired part or accessory.
4. Any part considered to be defective must be sent to our Works, carriage paid, accompanied by the following information:—
  - (a) Name of purchaser and his address;
  - (b) Date of purchase of machine;
  - (c) Name of dealer from whom the purchase was made;
  - (d) Engine number and model.
5. This Guarantee shall not extend to defects or damage appearing after misuse, neglect, abnormal stress or strain, or the incorporation or affixing of unsuitable attachments or parts and in particular:—
  - (a) Hiring out;
  - (b) Racing and Competitions;
  - (c) Adaptation or alteration of any part or parts after leaving our Works;
  - (d) The attaching of a sidecar in a manner not approved by us or to an unsuitable motor cycle.

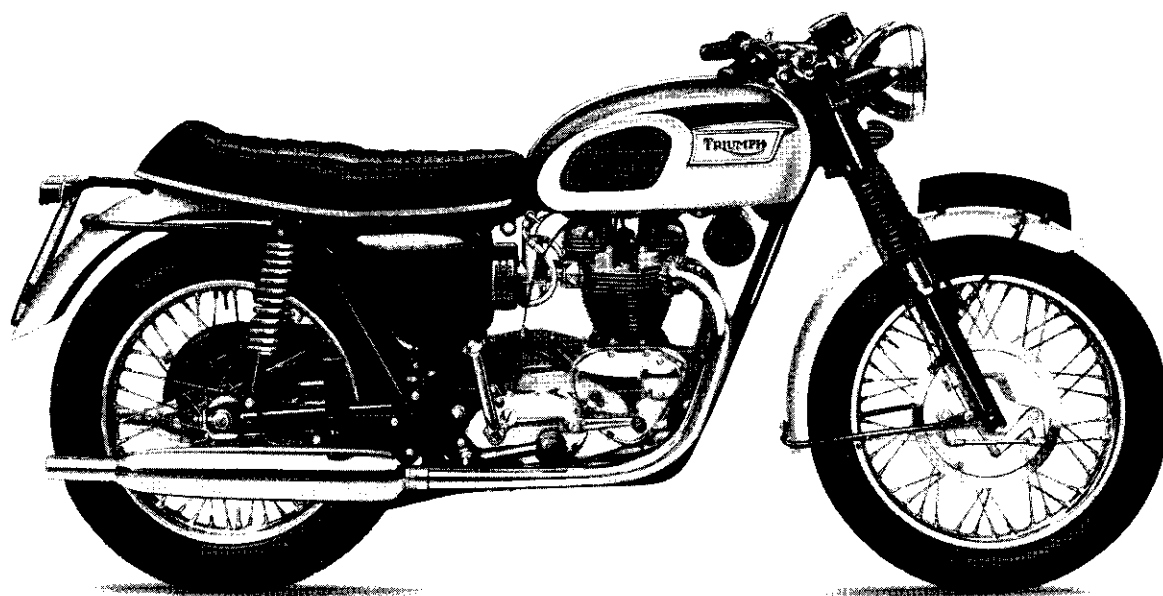
This Guarantee shall not extend to machines whose trade mark, name or manufacturing number has been altered or removed, or in which has been used any part not supplied or approved by us, or to tyres, saddles, chains, speedometers, revolution counters and electrical equipment or to parts supplied to the order of the Purchaser and different from our standard specification.
6. Our liability and that of our dealer who sells the machine, shall be limited to that set out in this guarantee, and no other claims including claims for consequential damage or injury to person or property, shall be admissible. All other conditions and warranties statutory or otherwise and whether express or implied are hereby excluded and no guarantee other than that expressly herein contained applies to the machine to which this Guarantee relates or any accessory or part thereof.
7. We reserve the right to modify or deviate from the Published Specification without notice.

## REPAIRS GUARANTEE

1. Whilst the highest standard of workmanship and materials is aimed at, we cannot accept liability for any defects appearing more than three months after the machine, assembly or component has left our Works after being repaired.
2. We will repair or replace at our option free of charge any defective work, materials or parts relating to the repairs carried out by us appearing within that time but shall not be under any further or other liability for any other loss or damage whether direct or consequential and our liability shall be limited to the cost of so making good. We do not undertake to bear the cost of fitting any replacement or repaired part.
3. We do not accept liability in respect of parts of proprietary manufacture, e.g. tyres, saddles, chains, speedometers, revolution counters and electrical equipment which may be used by us in effecting a repair. All other conditions and warranties statutory or otherwise expressed or implied are hereby excluded.

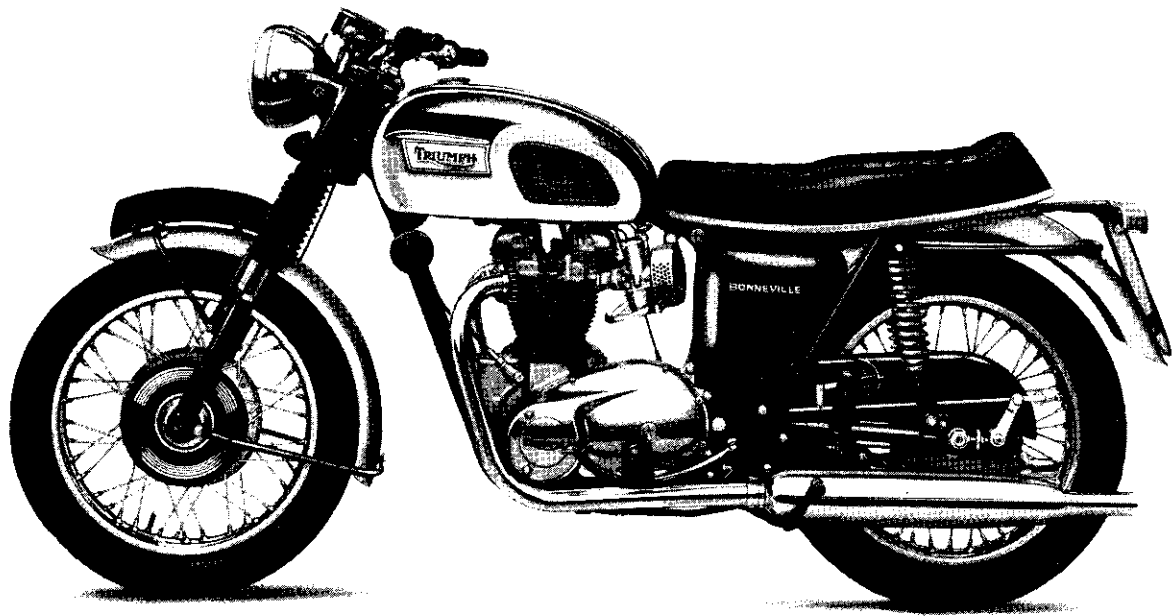
# INDEX

	Page		Page
AIR FILTER ... ..	55	KICKSTARTER ... ..	27
ALTERNATOR ... ..	13, 31	MANIFOLD ... ..	15
AUTO-ADVANCE UNIT ... ..	21	MUDGUARDS ... ..	59
BATTERY CARRIER ... ..	55	OIL PUMP ... ..	15
BRAKE SWITCHES ... ..	35, 63	OIL TANK ... ..	53
CAMSHAFT, INLET AND EXHAUST	11	PETROL TANK ... ..	51
CAPACITOR, IGNITION ... ..	73	PISTONS ... ..	11
CARBURETTER ... ..	67, 69	PROP STAND ... ..	33
CARTON PACKS ... ..	6	PUSH RODS ... ..	17, 19
CENTRE STAND ... ..	33	REAR WHEEL ... ..	47, 49
CHAINS ... ..	31	RECTIFIER ... ..	73
CHAINCASE ... ..	31	REFLECTORS ... ..	75
CLUTCH ... ..	29	ROCKERS ... ..	17, 19
CLUTCH LEVER ASSEMBLY ... ..	27	SIDE PANEL ... ..	57
COIL ... ..	73	SILENCERS ... ..	39
CONDENSER PACK ... ..	73	SPARKING PLUG ... ..	73
CONNECTING RODS ... ..	11	SPEEDOMETER ... ..	71
CONTACT BREAKER ... ..	21	SPEEDOMETER GEARBOX ... ..	71
CONTROL CABLES ... ..	63	STEERING DAMPER ... ..	43
CONTROL LEVERS ... ..	61	STEERING RACES ... ..	33
CRANKCASE ... ..	13	SUSPENSION UNITS ... ..	35
CRANKCASE UNDERSHIELD ... ..	37	SWINGING FORK ... ..	35
CRANKSHAFT ... ..	11	SWITCHES ... ..	75
CYLINDERS ... ..	17, 19	TACHOMETER ... ..	71
CYLINDER HEAD ... ..	17, 19	TACHOMETER GEARBOX ... ..	71
ENGINE PLATES ... ..	37	TAIL LAMP ... ..	75
ENGINE TORQUE STAY ... ..	37	TAPPETS ... ..	15
EXHAUST PIPES ... ..	11	TIMING GEARS ... ..	11
EXHAUST PIPE ADAPTOR ... ..	17, 19	TOOLKIT ... ..	65
FOOTRESTS ... ..	37, 65	TWIN SEAT ... ..	57
FRAME ... ..	33	VALVES ... ..	17, 19
FRONT BRAKE ... ..	45	VALVE GUIDES ... ..	17, 19
FRONT FORKS ... ..	41	WIRING HARNESS ... ..	75
FRONT WHEEL ... ..	45	ZENER DIODE ... ..	73
FUSE ASSEMBLY ... ..	55		
GASKET SET ... ..	6		
GEARBOX ... ..	23, 25, 27		
HANDLEBAR ... ..	61		
HANDLEBAR MOUNTINGS ... ..	43		
HEADLAMP ... ..	75		
HEAT SINK ... ..	73		
HORN ... ..	73		



### TROPHY (TR6) TECHNICAL DATA

<b>Bore and stroke...</b>	...	...	...	...	...	...	...	...	...	71 x 82 mm 2.79 x 3.23 ins.
<b>Capacity</b>	...	...	...	...	...	...	...	...	...	649 c.c. (40 cu. ins.)
<b>Compression ratio</b>	...	...	...	...	...	...	...	...	...	9 : 1
<b>Sparking plugs</b>	...	...	...	...	...	...	...	...	...	Champion N3
<b>Carburetter</b>	...	...	...	...	...	...	...	...	...	Amal
										Main jet ... 230
										Needle jet ... .107
										Throttle valve ... No. 3½
<b>Gearbox sprocket</b>	...	...	...	...	...	...	...	...	...	19 teeth Solo 17 teeth Sidecar
<b>Chains</b>	...	...	...	...	...	...	...	...	...	Front ... 3/8" Duplex x 84 links Rear ... 5/8" x 3/8" x 104 links
<b>Capacities</b>	...	...	...	...	...	...	...	...	...	Fuel Tank ... 4 galls. (18 litres) Oil Tank ... 5 pints (2.8 litres) Gearbox ... 7/8 pint (500 c.c.) Primary Chaincase ... 3/4 pint (350 c.c.) Front Forks (each leg) ... 1/3 pint (200 c.c.)
<b>Brakes</b>	...	...	...	...	...	...	...	...	...	Front, diameter... 8 in. (20.32 cm.) Rear, diameter ... 7 in. (17.78 cm.)
<b>Tyre size</b>	...	...	...	...	...	...	...	...	...	Front ... 3.25 x 19 Rear ... 3.50 x 18



### BONNEVILLE 120 (T120) TECHNICAL DATA

<b>Bore and stroke</b>	...	...	...	...	...	...	...	...	...	71 x 82 mm. 2.79 x 3.23 ins.
<b>Capacity</b>	...	...	...	...	...	...	...	...	...	649 c.c. (40 cu. ins.)
<b>Compression ratio</b>	...	...	...	...	...	...	...	...	...	9 : 1
<b>Sparking plugs</b>	...	...	...	...	...	...	...	...	...	Champion N3
<b>Carburetters</b>	...	...	...	...	...	...	...	...	...	2 Amal
					Main jet	...	...	...	...	190
					Needle jet	...	...	...	...	.106
					Throttle valve	...	...	...	...	No. 3
<b>Gearbox sprocket</b>	...	...	...	...	...	...	...	...	...	19 teeth Solo 17 teeth Sidecar
<b>Chains</b>	...	...	...	...	Front	...	...	...	...	$\frac{3}{8}$ " Duplex x 84 links
					Rear	...	...	...	...	$\frac{5}{8}$ " x $\frac{3}{8}$ " x 104 links
<b>Capacities</b>	...	...	...	...	Fuel Tank	...	...	...	...	4 galls. (18 litres)
					Oil Tank	...	...	...	...	5 pints (2.8 litres)
					Gearbox	...	...	...	...	$\frac{7}{8}$ pint (500 c.c.)
					Primary Chaincase	...	...	...	...	$\frac{5}{8}$ pint (350 c.c.)
					Front Forks (each leg)	...	...	...	...	$\frac{1}{3}$ pint (200 c.c.)
<b>Brakes</b>	...	...	...	...	Front, diameter	...	...	...	...	8 in. (20.32 cm.)
					Rear, diameter	...	...	...	...	7 in. (17.78 cm.)
<b>Tyre size</b>	...	...	...	...	Front	...	...	...	...	3.00 x 19
					Rear	...	...	...	...	3.50 x 18

### CARTON PACK LIST

The following sub-assemblies are supplied in carton packs under the C.P. part number stated. The contents of these carton packs are preserved and will not deteriorate under adverse conditions.

Part No.	Contents
----------	----------

---

**Brake Lining**

C.P.38/A.M.2	...	...	2	...	...	NW243	...	...	...	Brake lining
			16	...	...	W129	...	...	...	Rivet
C.P.205	...	...	2	...	...	W1734	...	...	...	Brake lining
			16	...	...	W129	...	...	...	Rivet

**Pistons** (complete with rings, gudgeon pins and circlips)

E6895	...	...	...	...	...	7.5 : 1 C.R.	...	...	...	For use with low grade fuel
E6868	...	...	...	...	...	9 : 1 C.R.	...	...	...	Standard
E6867	...	...	...	...	...	11 : 1 C.R.	...	...	...	Competition use only

All the above pistons are available in oversizes of 0.010 ins., 0.020 ins., 0.040 ins., (0.25 mm., 0.5 mm., 1mm.)

**Valve Guides**

C.P.97	...	...	2	...	...	E2899	...	...	...	Inlet guide
(TR6)	...	...	2	...	...	E2900	...	...	...	Exhaust guide

**De-coke Gasket Set**

OVERHAUL "

All models ...

DIGS7 99-1127  
99-1129

## HOW TO USE THIS SPARE PARTS CATALOGUE

First check that the engine number of your machine is subsequent to that quoted on the title page.

Next consult the index on Page 5 for the parts or group of parts which you wish to locate. When you have located the parts make sure from the end columns that the part you have located does apply to your machine.

List the quantities required as single units; do not ask for "2 pairs" or "3 dozen".

In case of painted items always state the colour required. Painted parts are available only in the colours or alternatives specified for that model of that particular year.

Proprietary components, e.g. electrical equipment, carburetters, suspension units etc., are listed in the first column under Triumph part numbers (prefixed either D- or 99-) wherever they are stocked at the Factory. If proprietary parts are listed only under manufacturers part numbers, they are not available from the factory.

<i>Model</i>	<i>Colour</i>	<i>Suffix Letter to Part No.</i>
TR6	Trophy Red/Silver	
T120	Olympic Flame/Silver	

N.B.—Riviera Blue and Hi-Fi Scarlet are both flamboyant finishes applied over silver.

Paint is available in all colours in Aerosol containers or 1 gallon tins.

## PLEASE NOTE

THROUGHOUT THIS LIST, ASSEMBLIES ARE PRINTED IN CAPITALS AND THE COMPONENTS INCLUDED IN THAT ASSEMBLY ARE INDENTED IN THE DESCRIPTION COLUMN, REVERTING TO THE ORIGINAL ALIGNMENT WHEN THE ASSEMBLY IS COMPLETE. TO ORDER THE COMPLETE ASSEMBLY IT IS NECESSARY ONLY TO QUOTE THE ASSEMBLY NUMBER. ANY COMPONENT PARTS LISTED MAY ALSO BE OBTAINED SEPARATELY IF REQUIRED.

## SPECIAL WORKSHOP TOOLS

A COMPLETE LIST OF WORKSHOP TOOLS CAN BE MADE AVAILABLE BY EITHER CONTACTING YOUR DEALER OR APPLYING DIRECT TO THE TRIUMPH SERVICE DEPARTMENT. IN MOST CASES THESE TOOLS ARE VERY COSTLY AS THEY ARE MADE ENTIRELY FOR WORKSHOP USE, AND THEREFORE, IT IS NOT RECOMMENDED THAT THE PRIVATE OWNER PURCHASES THE TOOLS IN ORDER TO AID SERVICING THE MACHINE ONCE OR TWICE ONLY. IN THESE CIRCUMSTANCES IT IS FAR MORE ECONOMICAL TO GET IN TOUCH WITH A RECOGNISED DEALER.

## UNIFIED THREAD FORM

NEW PARTS HAVING THREADED FIXINGS INTRODUCED IN THIS CATALOGUE HAVE THE UNIFIED FORM OF SCREW THREADS. THIS CHANGEOVER WILL BE CONTINUED AS AND WHEN NEW PARTS ARE INTRODUCED. EVEN WHERE PARTS ARE SIMILAR IN APPEARANCE NEW PART NUMBERS WILL BE ALLOCATED TO IDENTIFY THE UNIFIED THREADS. ALL NUTS, BOLTS AND STUDS HAVING THIS THREAD ARE IDENTIFIED BY MARKINGS. BOLTS HAVE A CIRCULAR RECESS IN THEIR HEADS, STUDS A CIRCULAR GROOVE ON THE END, AND NUTS HAVE INTERLOCKING CIRCLES ON THE SIDE.



# TRIUMPH SPARES

**HOW TO ORDER.** Every part is indicated by a number, and this should be quoted together with the description. In order to assist customers, dimensions have been given in many cases where parts are similar. Parts where possible have been listed in order of assembly and a number of the illustrations show the assembly order also. With these aids, there should be no difficulty in identifying the parts you require.

ALWAYS HEAD YOUR ORDER WITH THE ENGINE NUMBER, STAMPED ON THE LEFT SIDE OF THE ENGINE JUST BELOW THE CYLINDER, TOGETHER WITH THE PREFIX LETTERS.

**WHERE TO OBTAIN.** Triumph Spare Parts can only be obtained from an authorised Triumph Dealer, and we recommend our customers to place their orders with the Triumph Dealer in their district. When parts not usually asked for are required, and for which the Dealer may have to write or obtain specially, the postage or carriage incurred becomes payable.

TRIUMPH SPARES ARE NOT SUPPLIED TO PRIVATE OWNERS DIRECT FROM THE FACTORY. A LIST OF AUTHORISED DEALERS WHO STOCK TRIUMPH SPARES IS AVAILABLE ON REQUEST. IF DIFFICULTY IS EXPERIENCED IN OBTAINING THE REQUIRED PARTS, THE MATTER SHOULD BE TAKEN UP DIRECTLY WITH THE TRIUMPH SPARES DEPARTMENT.

Customers are warned against the risk incurred by purchasing parts that are not of genuine Triumph manufacture. This risk is eliminated if parts are ordered as instructed from recognised Dealers.

**PATTERNS AND PARTS FOR REPAIR.** It is not necessary to send patterns if the part number is quoted. The sending of patterns often delays the order as parcel post or rail takes longer than letter post.

Parts sent to Coventry for repair, replacement, or as patterns should bear the sender's Name and Address and clear instructions should accompany the parts. In your own interest send a copy of the advice note under separate cover. All parts must be forwarded carriage paid and care should be taken to ensure that all remittances are sent separately and not enclosed with the parts. Fragile units such as cylinders, etc., should always be boxed to avoid damage in transit. Complete machines should have all fittings such as windscreens, driving mirrors, tools, etc., removed by the sender before despatch, as it is impossible for us to accept responsibility in the event of loss in transit. We are always pleased to give estimates for overhauling and repairs, but should an estimate not be accepted, a charge will be made covering cost of dismantling and re-assembling, if carried out. Work cannot be accepted at the factory direct from private owners.

Communications relating to Parts should be addressed to the SPARES DEPARTMENT and for repairs, guarantee claims and technical advice to the SERVICE DEPARTMENT, Triumph Engineering Co. Ltd., Meriden Works, Allesley, Coventry. In order to facilitate quick reference, the quoting of any number, invoice number or reference from previous communications is essential. Accessories not of our manufacture should be sent direct to the actual makers, whose Names and Addresses appear below.

## PROPRIETARY GROUP

Ancillary equipment which is fitted to our motor cycles is of the highest quality and is guaranteed by the manufacturers and not by ourselves. Any repairs or claims should be directed to the actual makers or their local agents who will always give owners every possible assistance. The following are the addresses of the various manufacturers:—

### CARBURETTORS.

Messrs. Amal Ltd.,  
Holdford Road,  
Witton,  
Birmingham, 6.

### CHAINS.

Renold Chains Ltd.,  
Wythenshawe,  
Manchester.

### ELECTRICAL EQUIPMENT.

Messrs. J. Lucas Ltd.,  
Gt. Hampton Street,  
Birmingham, 18.

### TYRES.

Dunlop Rubber Co. Ltd.,  
Fort Dunlop,  
Birmingham, 24.

The Avon India Rubber Co. Ltd.,  
Melksham,  
Wilts.

### SPARKING PLUGS.

Champion Sparking Plug Co. Ltd.,  
Feltham,  
Middlesex.

### SPEEDOMETERS.

Messrs. Smiths Industries Ltd.,  
Cricklewood Works,  
London, N.W.2.

### SUSPENSION UNITS.

Messrs. Girling Ltd.,  
Birmingham Road,  
West Bromwich,  
Staffordshire.

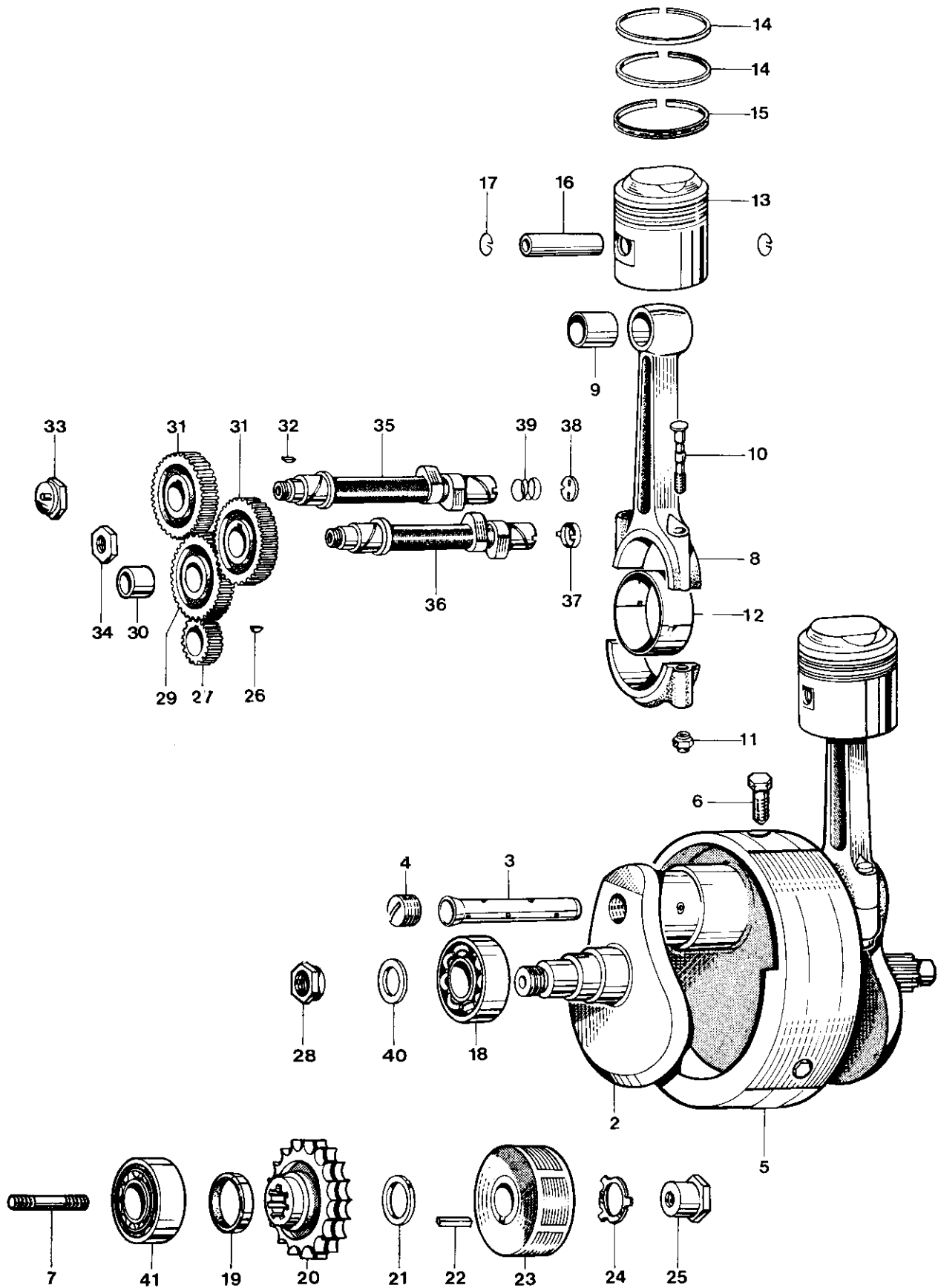


Fig. 1. CRANKSHAFT AND CONNECTING RODS

### CRANKSHAFT AND CONNECTING RODS

1	E9686**	CRANKSHAFT AND FLYWHEEL ASSEMBLY	1	
2	E4643	CRANKSHAFT C/W. OIL TUBE	1	
3	E3903	Oil tube	1	
4	E3905	Screwed plug	1	
5	E9687**	Flywheel	1	
6	*E9307	Flywheel bolt	3	
7	E3114	Crankshaft stud (1 $\frac{3}{8}$ " O.A.)	1	
8	E9525	CONNECTING ROD	2	
9	E1511	Small end bush	2	
10	E6576	Connecting rod bolt	4	
11	S549	Self locking nut	4	
12	E3586	Big end bearing (Available in --010 in. and --020 in. oversizes)	4	
13	E6868	PISTON COMPLETE 9 : C.R.	2	TR6, T120
14	E6864	Taper compression ring	4	
15	E6865	Oil control ring	2	
16	E6863	Gudgeon pin (long)	2	TR6, T120
17	E6869	Circlip	4	
18	E1591	Main bearing, right	1	
19	E3876	Oil seal	1	
20	E5446	Engine sprocket, 29 teeth Duplex	1	
21	E4573	Distance piece	1	
22	E3974	Rotor key	1	
23	99-0739	Rotor, type RM19 (54213901)	1	
24	E3975	Tab washer	1	
25	E3977	Nut	1	
26	E1580	Key	1	
27	E4564	Timing pinion	1	
28	E4565	Nut	1	
29	E6159	INTERMEDIATE WHEEL	1	
30	E400	Intermediate wheel bush...	1	
31	E4562	Camshaft wheel...	2	
32	E1558	Camshaft key	2	
33	E1463	Inlet camshaft nut	1	
34	E4563	Exhaust camshaft nut	1	
35	E10040	Inlet camshaft	1	
36	E10041	EXHAUST CAMSHAFT	1	
37	†E4700	Tachometer drive thimble	1	
38	E5316	Rotary breather valve	1	
39	E2256	Breather valve spring	1	
40	E3300	Clamping washer	1	
41	E2879	Main bearing, left	1	

\* Use D524 Loctite Sealant

† Use E7050 to replace without dismantling motor

\*\* For the commencement of the season, the previous 'light' type of crankshaft assembly (Part No. E7331) is fitted. The flywheel only from this assembly bears Part No. E7332

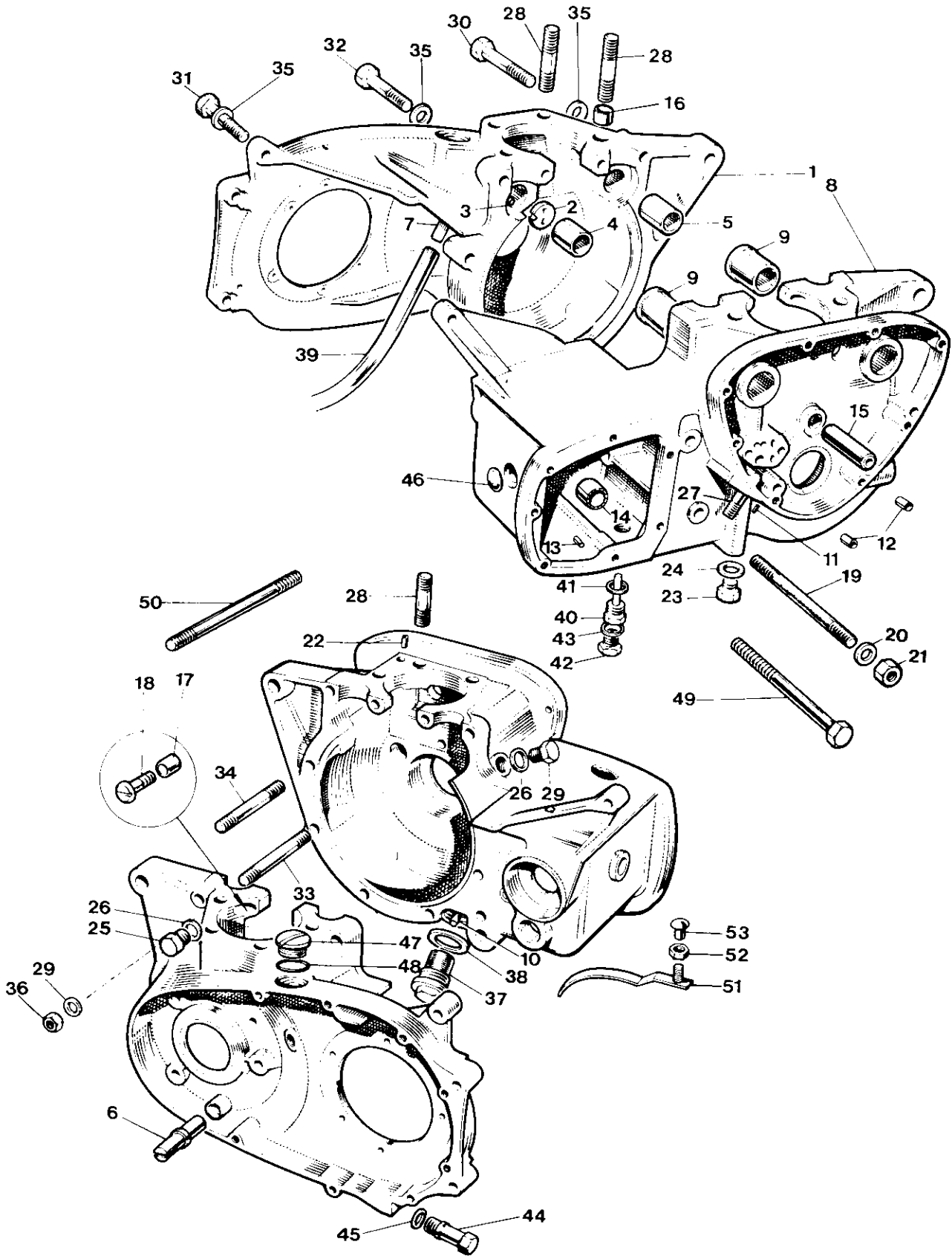


Fig. 2. CRANKCASE

**CRANKCASE**

1	E9748	CRANKCASE DRIVE SIDE ... ..	1	
2	GS87	Breather disc ... ..	1	
3	E2311	Locating pin—at disc ... ..	1	
4	E2260	Inlet camshaft bush ... ..	1	
5	E1516	Exhaust camshaft bush ... ..	1	
6	E5976	Chain tensioner abutment ... ..	1	
7	E2724	Breather pipe (metal) ... ..	1	
8	E9749	CRANKCASE TIMING SIDE ... ..	1	
9	E1479	Camshaft bush ... ..	2	
10	E4538	Scavenge pipe ... ..	1	Reference only
11	E6386	Locating peg (at oil pipes) ... ..	1	Reference only
12	T989	Metering dowel ... ..	1	
13	T912	Locating peg (L/S at thrust washer) ... ..	1	
14	T1606	Needle roller bearing, layshaft ... ..	1	
15	E375	Intermediate wheel spindle ... ..	1	
16	E1532	Hollow dowel ... ..	2	
17	E3716	Hollow dowel ... ..	1	
18	S1873	Screw ( $\frac{13}{16}$ in. U.H.) ... ..	2	
19	14-1445	Stud ( $4\frac{1}{2}$ in. O.A.) ... ..	1	
20	S25-2	Plain washer ... ..	2	
21	14-0303	Nut ... ..	2	
22	E8751	Hollow dowel, tappet oil feed ... ..	2	
23	E9330	Oilway plug ... ..	1	
24	F1880	Copper washer ... ..	1	
25	S1871	Tachometer drive plug (L.H. thread) ... ..	1	
26	E8896	Fibre washer ... ..	1	
27	S1863	Oil pipe stud ( $1\frac{1}{2}$ in. O.A.) ... ..	1	
28	S1865	Cylinder stud ( $1\frac{3}{4}$ in. O.A.) ... ..	8	
29	S1872	Plug, timing hole ... ..	1	
30	S1870	Bolt ( $2\frac{1}{2}$ in. U.H.) ... ..	1	
31	14-0620	Bolt ( $1\frac{3}{4}$ in. U.H.) ... ..	1	
32	S1869	Bolt ( $1\frac{7}{8}$ in. U.H.) ... ..	1	
33	E4856	Stud ( $5\frac{1}{16}$ in. O.A.) ... ..	1	
34	E2888	Stud ( $3\frac{7}{8}$ in. O.A.) ... ..	2	
35	S25-3	Plain washer ... ..	11	
36	S1-51	Nut ... ..	8	
37	E9336	Crankcase filter ... ..	1	
38	E5315	Copper washer ... ..	1	
39	E5375	Breather extension pipe ... ..	1	
40	T3851	Drain plug (with level tube) ... ..	1	
41	T1257	Fibre washer ... ..	1	
42	S543	Level plug ... ..	1	
43	E2441	Copper washer ... ..	1	
44	E6347	Drain and adjuster plug ... ..	1	
45	T1738	Fibre washer ... ..	1	
46	T1920	Blanking plug ... ..	1	
47	T2166	Filler plug ... ..	2	
48	E8782	Fibre washer ... ..	2	
49	14-6242	Bolt (4 in. U.H.) ... ..	1	
50	E5963	Stud ( $4\frac{3}{4}$ in. O.A.) ... ..	1	
51	E8892	Protection blade ... ..	1	} Available
52	14-1301	Self lock nut ... ..	1	
53	E7573	Rubber plug (for protection blade stud hole) ... ..	1	TR6, T120

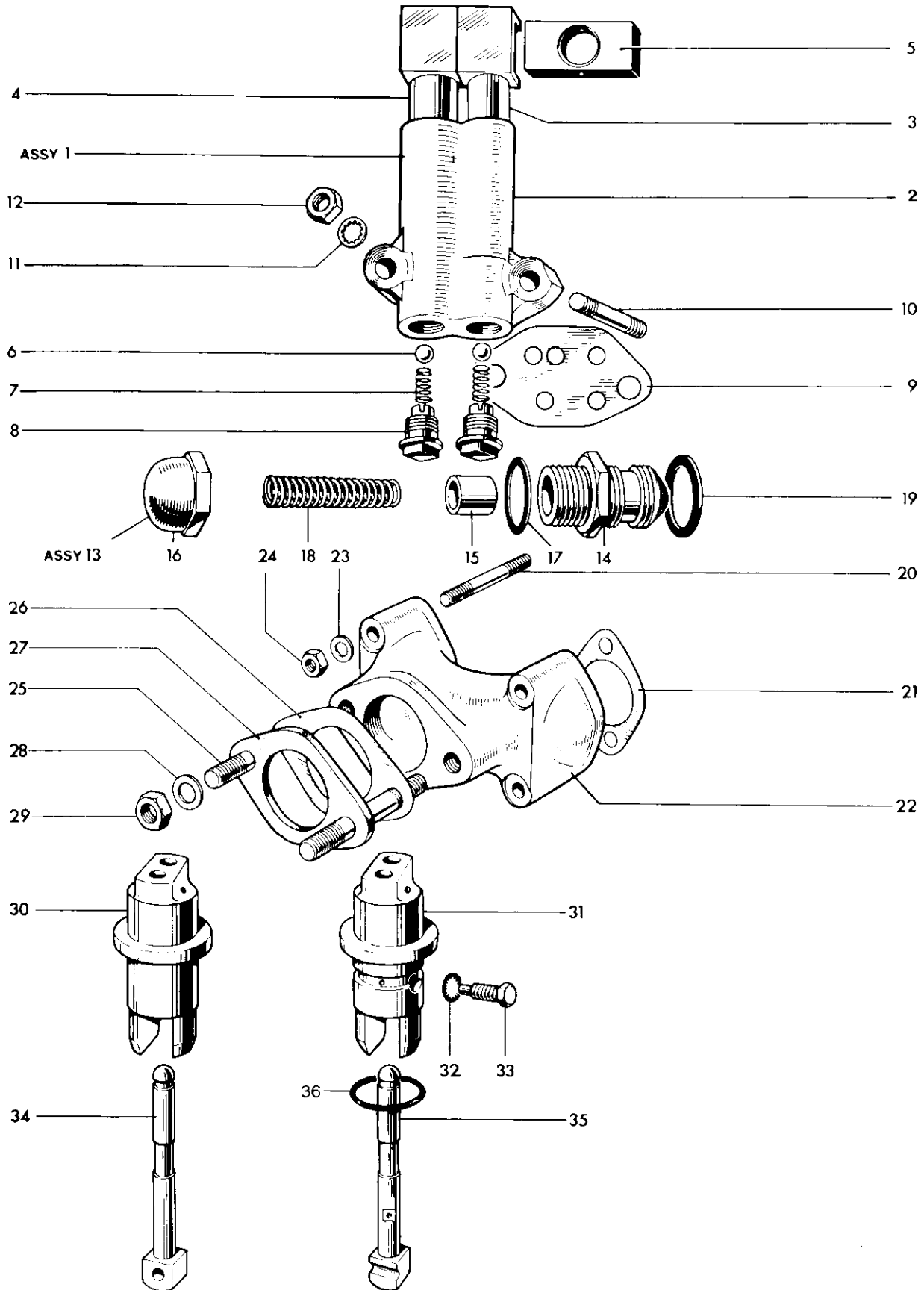


Fig. 3. OIL PUMP, RELEASE VALVE, MANIFOLD AND TAPPETS

**OIL PUMP, RELEASE VALVE, MANIFOLD AND TAPPETS**

1	E6928	OIL PUMP	1	
2	Reference only	Pump body...	1	
3	GS153	Feed plunger	1	
4	E6681	Scavenge plunger	1	
5	E495	Drive block	1	
6	S70-7	Valve ball ( $\frac{7}{32}$ in. dia.)	2	
7	E403	Valve spring	2	
8	E2360	Screwed plug	2	
9	E3730	Joint washer	1	
10	S1684	Oil pump stud ( $1\frac{5}{16}$ in. U.H.)	2	
11	E3887	Serrated washer	2	
12	S1906	Nut	2	
13	E6595	OIL RELEASE VALVE	1	
14	E7590	Valve body	1	
15	GS251	Piston	1	
16	E6596	Cap	1	
17	GS254	Fibre washer	1	
18	E7591	Main spring	1	
19	E1670	Fibre washer	1	
20	S1876	Stud ( $1\frac{5}{16}$ in. O.A.)	4	
21	E5660	Joint washer	2	} TR6
22	E5512	Inlet manifold	1	
23	S25-13	Plain washer	4	
24	S1877	Nut	4	
25	E2962	Stud ( $1\frac{7}{32}$ in. O.A.)	2	
26	NA43A	Joint washer	1	
27	E4918	Insulating block	1	
28	S25-3	Plain washer	2	
29	E1310	Nut	2	
30	E9352	Inlet tappet guide	1	
31	E9353	Exhaust tappet guide	1	
32	E1612	Serrated washer	2	
33	H200	Set bolt	2	
34	E3059R	Inlet tappet	2	
35	E8801	Exhaust tappet	2	
36	E7563	'O' Ring	2	

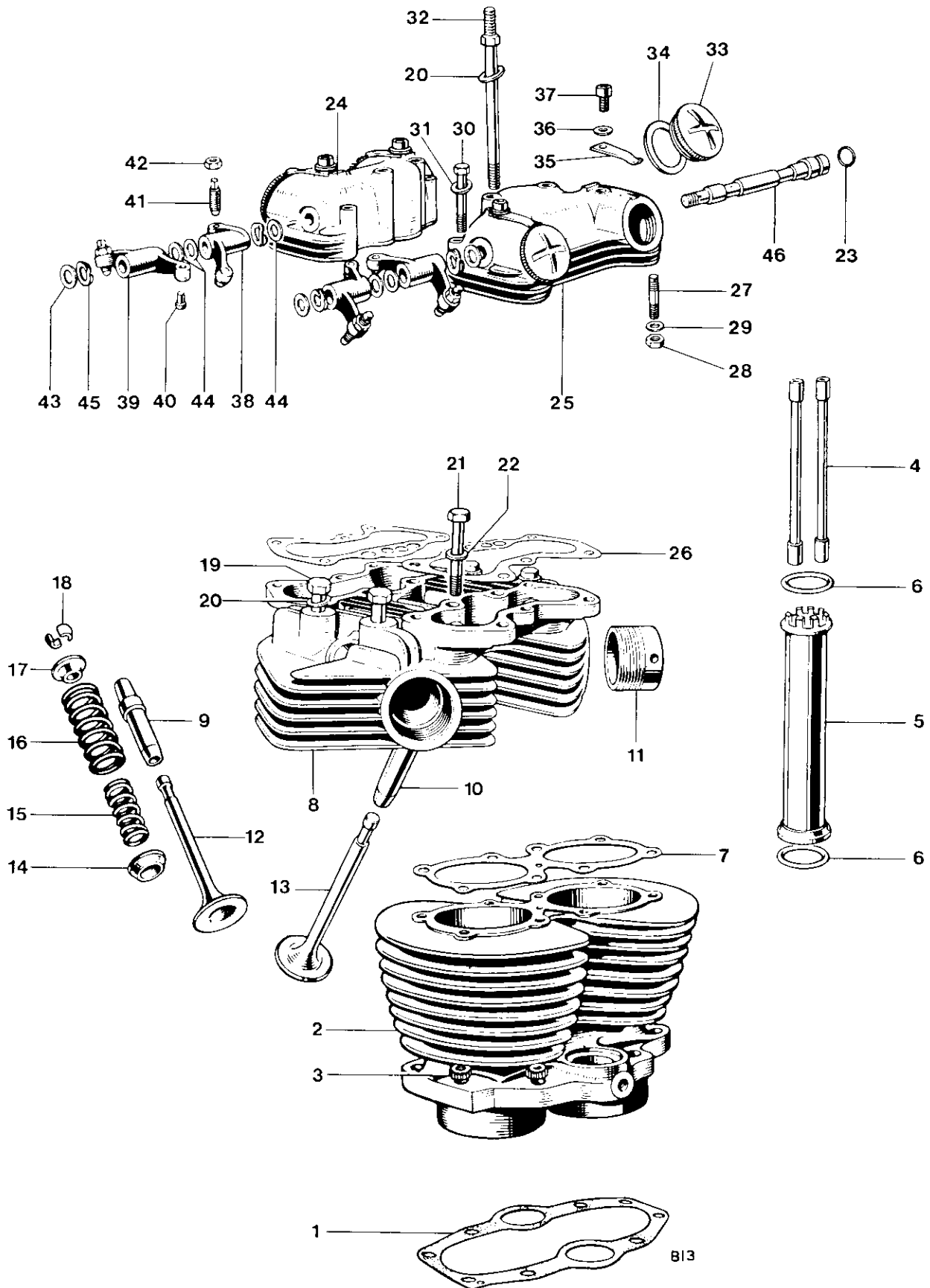


Fig. 4. CYLINDER BLOCK AND HEAD, TR6



Ref. No.	Part No.	DESCRIPTION	QUANTITY	REMARKS
----------	----------	-------------	----------	---------

### CYLINDER BLOCK AND HEAD, TR6

1	E6309	Cylinder base washer ... ..	1	
2	E6304	Cylinder block ... ..	1	
3	S692	Cylinder base nut ... ..	8	
4	E2620	Push rod ... ..	4	
5	E9349	Cover tube ... ..	2	
6	E7310	Rubber washer ... ..	4	
7	E4547	Cylinder head gasket ... ..	1	
8	E9362	CYLINDER HEAD c/w GUIDES ... ..	1	
9	E2899	Inlet valve guide ... ..	2	
10	E2900	Exhaust valve guide ... ..	2	
11	E9516	Exhaust pipe adaptor ... ..	2	
12	E4603	Inlet valve ... ..	2	
13	E2904	Exhaust valve ... ..	2	
14	E6439	Bottom cup ... ..	4	
15	E4221	Inner valve spring (red spot) ... ..	4	
16	E7400	Outer valve spring (green spot) ... ..	4	
17	E1543	Top collar ... ..	4	
18	WE259A	Split cotter ... ..	8	
19	E327	Cylinder head bolt (3 $\frac{3}{8}$ in. U.H.) ... ..	4	
20	F2184	Plain washer ... ..	8	
21	E4771	Bolt (3 in. U.H.) ... ..	1	
22	S25-3	Plain washer ... ..	1	
23	E3253	Sealing ring ... ..	2	
24	E4550	Inlet rocker box ... ..	1	
25	E4551	Exhaust rocker box ... ..	1	
26	E9348	Joint washer ... ..	2	
27	E2980	Rocker box stud ( $\frac{15}{16}$ in. O.A.) ... ..	6	
28	F879	Rocker box nut... ..	6	
29	E3302	Plain washer ... ..	6	
30	S1875	Rocker box bolt (2 $\frac{5}{32}$ in. U.H.) ... ..	4	
31	S25-13	Plain washer ... ..	4	
32	E1596	Cylinder head bolt (for torque stay) ... ..	4	
33	E4610	Inspection cap ... ..	4	
34	E3751	Joint washer ... ..	4	
35	E4609	Locking spring ... ..	4	
36	WE170	Fibre washer ... ..	4	
37	T1553	Screw ( $\frac{3}{8}$ in. U.H.) ... ..	4	
38	E1457	ROCKER (right exhaust, left inlet) ... ..	2	
39	E1458	ROCKER (left exhaust, right inlet) ... ..	2	
40	E1483	Rocker ball pin ... ..	4	
41	E1513	Rocker adjusting pin ... ..	4	
42	E470	Adjuster lock nut ... ..	4	
43	E1330	Thrust washer, $\frac{3}{8}$ in ... ..	2	
44	E1575	Thrust washer, $\frac{1}{2}$ in. ... ..	6	
45	E1574	Spring washer ... ..	4	
46	E1512	Rocker spindle ... ..	2	

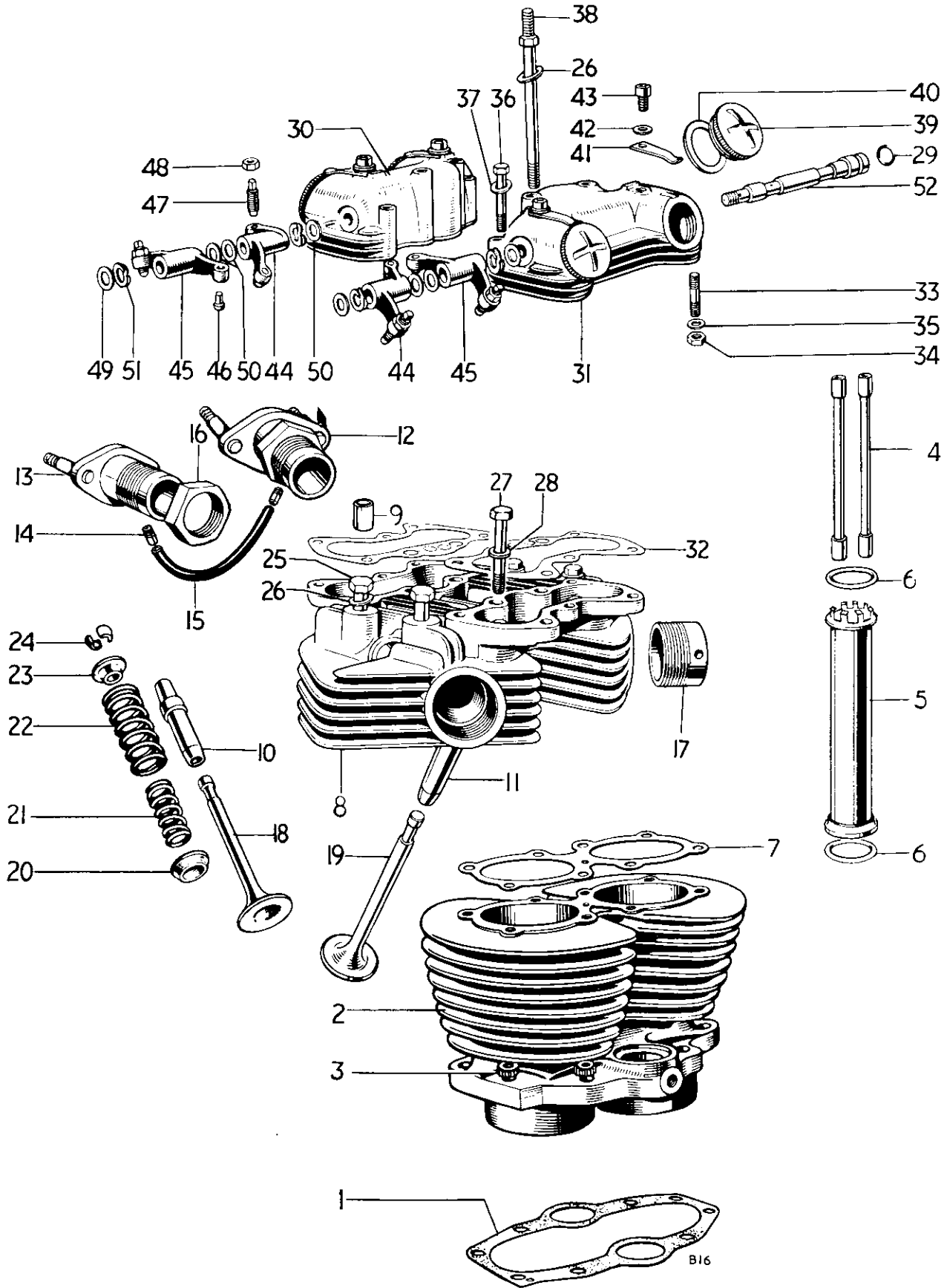


Fig. 5. CYLINDER BLOCK AND HEAD, T120

**CYLINDER BLOCK AND HEAD, T120**

1	E6309	Cylinder base washer ... ..	1	
2	E6304	Cylinder block ... ..	1	
3	S692	Cylinder base nut ... ..	8	
4	E2620	Push rod ... ..	4	
5	E9349	Cover tube ... ..	2	
6	E7310	Rubber washer ... ..	2	
7	E4547	Cylinder head gasket ... ..	1	
8	E9418	CYLINDER HEAD c/w GUIDES	1	
9	Reference only	Sleeve for inlet part ... ..	2	
10	E3827	Inlet valve guide ... ..	2	
11	E3828	Exhaust valve guide ... ..	2	
12	E9550	Carburetter adaptor, left	1	
13	E9551	Carburetter adaptor, right	1	
14	E9556	Connector ... ..	2	
15	E4792	Balance pipe ... ..	1	
16	E4608	Adaptor locking nut ... ..	2	
17	E9516	Exhaust pipe adaptor ... ..	2	
18	E4603	Inlet valve ... ..	2	
19	E2904	Exhaust valve ... ..	2	
20	E6439	Bottom cup ... ..	4	
21	E4221	Inner valve spring (Red spot)...	4	
22	E7400	Outer valve spring (Green spot)	4	
23	E1543	Top collar ... ..	4	
24	WE259A	Split cotter ... ..	8	
25	E327	Cylinder head bolt (3 $\frac{3}{8}$ in. U.H.)	4	
26	F2184	Plain washer ... ..	8	
27	E4771	Bolt (3 in. U.H.) ... ..	1	
28	S25-3	Plain washer ... ..	1	
29	E292	Sealing rubber ... ..	1	
30	E4550	Inlet rocker box ... ..	1	
31	E4551	Exhaust rocker box ... ..	1	
32	E4549	Joint washer ... ..	2	
33	E9348	Rocker box stud ( $\frac{1}{16}$ in. O.A.)	6	
34	F879	Nut ... ..	6	
35	E3302	Plain washer ... ..	6	
36	S1875	Rocker box bolt (2 $\frac{5}{32}$ in. U.H.)	4	
37	S25-13	Plain washer ... ..	4	
38	E1596	Cylinder head bolt (for torque stay)	4	
39	E4610	Inspection cap ... ..	4	
40	E3751	Joint washer ... ..	4	
41	E4609	Locking spring ... ..	4	
42	WE170	Fibre washer ... ..	4	
43	T1553	Screw ( $\frac{3}{8}$ in. U.H.) ... ..	4	
44	E1457	ROCKER (right exhaust, left inlet)	2	
45	E1458	ROCKER (left exhaust, right inlet)	2	
46	E10070	Rocker ball pin ... ..	4	
47	E1513	Rocker adjusting pin ... ..	4	
48	E470	Adjuster lock nut ... ..	4	
49	E1330	Thrust washer, $\frac{3}{8}$ in. ... ..	2	
50	E1575	Thrust washer, $\frac{1}{2}$ in. ... ..	6	
51	E1574	Spring washer ... ..	4	
52	E1512	Rocker spindle ... ..	2	

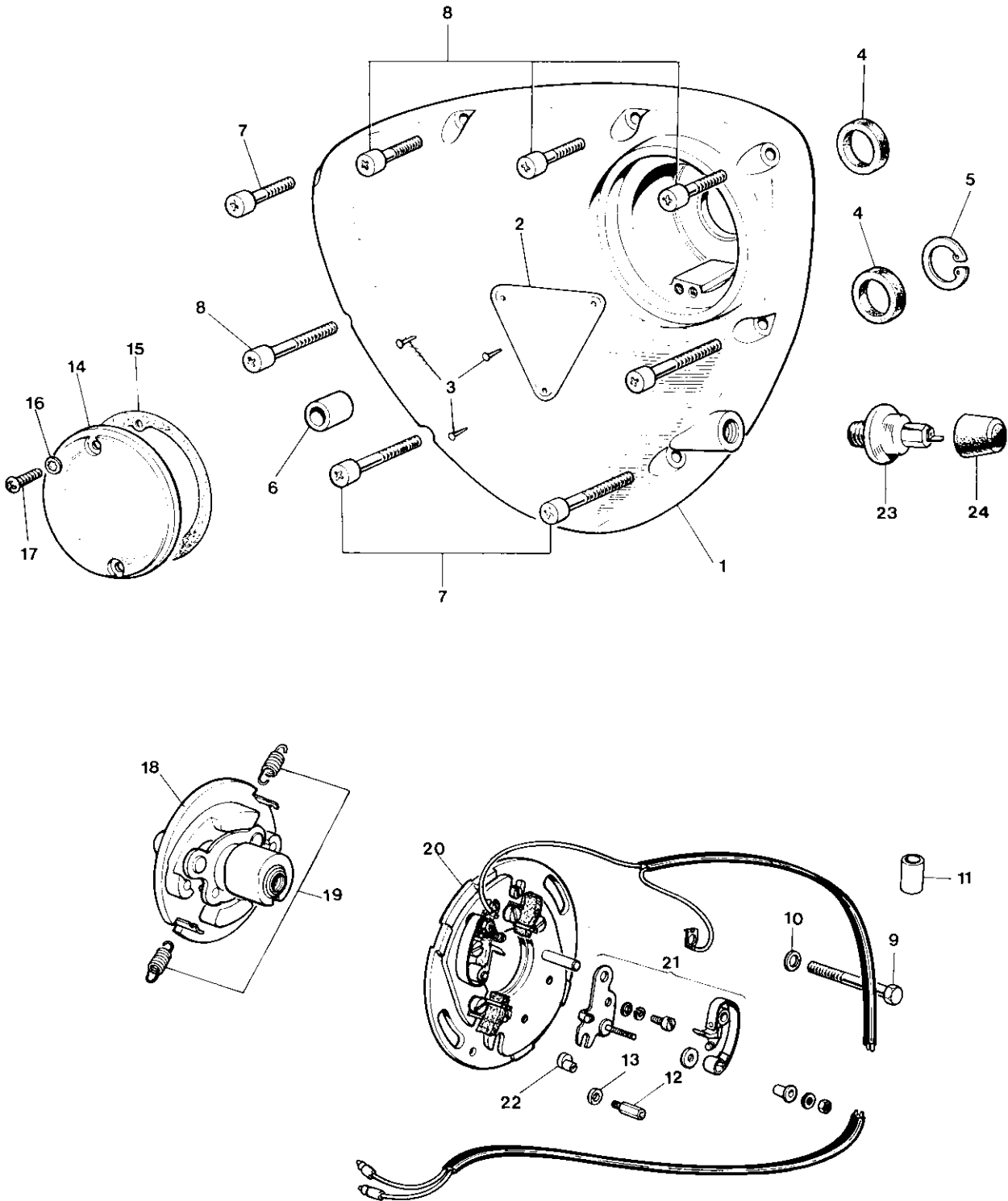


Fig. 6. TIMING COVER AND CONTACT BREAKER

**TIMING COVER AND CONTACT BREAKER**

1	E9246	Timing cover ... ..	1	
2	E4016	Patent plate ... ..	1	
3	D208-5	Hammer-drive screw ... ..	3	
4	E4568	Oil seal ... ..	2	
4	E6387	Oil seal (0.020 in. undersize) ... ..		For reground crankshaft
5	E4569	Circlip ... ..	1	
6	T989	Hollow dowel ... ..	1	
7	14-6609	Screw (1 $\frac{5}{16}$ in. U.H.) ... ..	3	
8	14-6608	Screw (1 in. U.H.) ... ..	5	
9	E8828	Bolt (2 $\frac{1}{8}$ in. U.H.) ... ..	1	
10	S25-43	Plain washer ... ..	1	
11	E4707	Rubber grommet ... ..	1	
12	E7680	Pillar bolt ... ..	2	
13	E6559	Plain washer ... ..	2	
14	E8737	Cover ... ..	1	
15	E5049	Joint washer ... ..	1	
16	GS299	Serrated washer ... ..	2	
17	E7354	Screw ( $\frac{1}{2}$ in. U.H.) ... ..	2	
18	99-0771	AUTO ADVANCE UNIT (54419340) ... ..	1	
19	99-0757	Spring set (54415642) ... ..	1	
20	99-0768	CONTACT BREAKER PLATE ASSEMBLY (54419097) ... ..	1	
21	99-0772	Contact set (54419827) ... ..	2	
22	99-0769	Pin, adjustment (54419220) ... ..	2	
23	D2133	Oil pressure switch ... ..	1	
24	D2045	Cover pressure switch ... ..	1	
—	D2138	Timing label for C.B. cover ... ..		Not illustrated

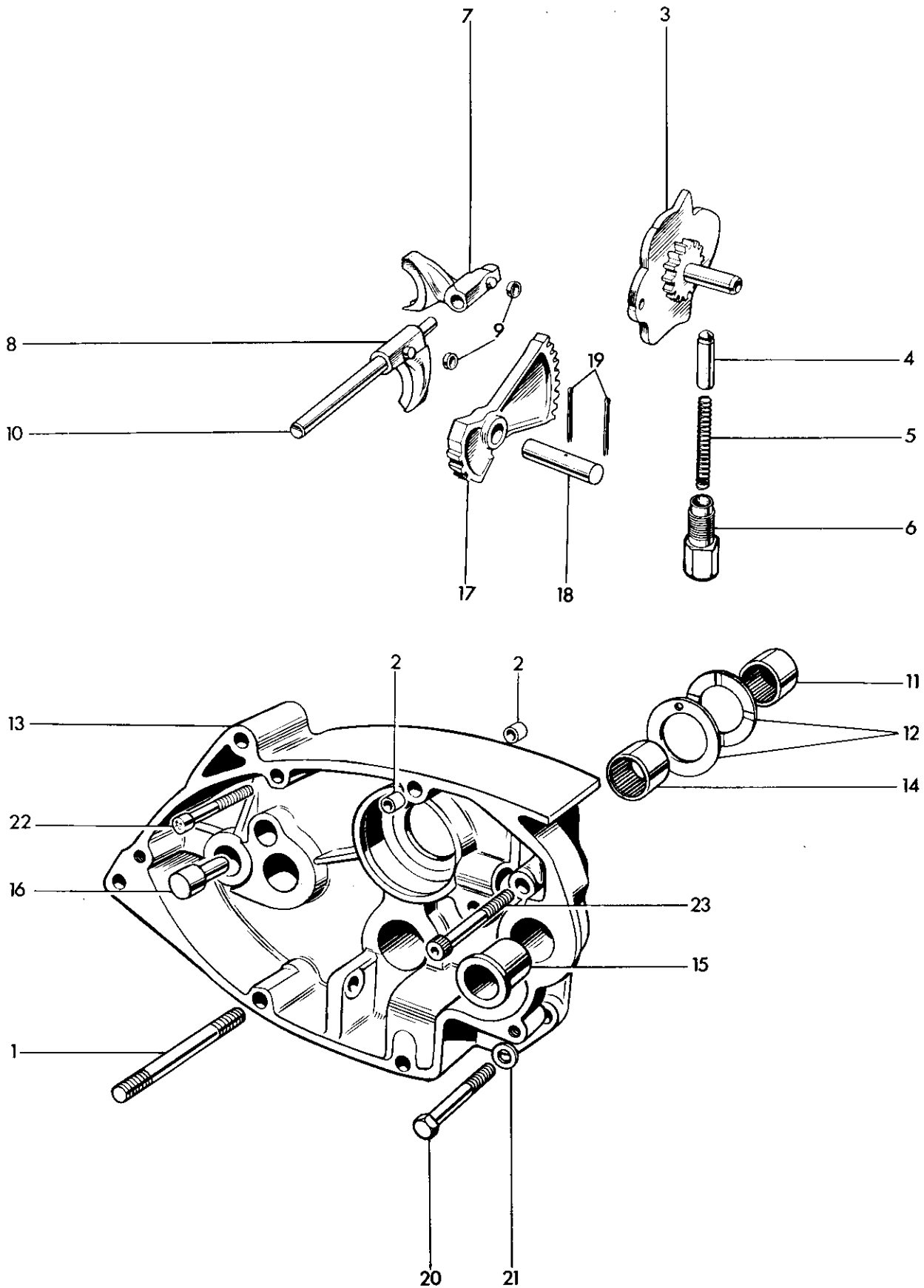


Fig. 7. GEARBOX INNER COVER AND SELECTORS

**GEARBOX INNER COVER AND SELECTORS**

1	14-1427	Stud (3 in. O.A.)	2	
2	T989	Hollow dowel	4	
3	T3650	Gear selector camplate	1	
4	T3660	Camplate index plunger	1	
5	T3661	Index plunger spring	1	
5	T1604	Index plunger spring (heavy duty)	as required	
6	T2172	Index plunger holder	1	
7	T260B	Mainshaft selector fork	1	
8	T913	Layshaft selector fork	1	
9	NT261	Selector fork roller	2	
10	T291	Selector fork rod	1	
11	T1606	Layshaft bearing	1	
12	T1607	Thrust washer	2	
13	T3766	GEARBOX INNER COVER	1	
14	T1614	Layshaft bearing	1	
15	T412	Gearchange spindle bush...	1	
16	T45	Kickstarter stop	1	
17	T397	Camplate operating quadrant...	1	
18	T1896	Quadrant spindle	1	
19	$\frac{5}{8}$ in. x $1\frac{3}{8}$ in.	Split pin	2	
20	S1907	Bolt ( $1\frac{1}{8}$ in. U.H.)	1	
21	E3446	Plain washer	1	
22	14-6608	Screw (1 in. U.H.)	1	
23	14-7023	Socket screw ( $1\frac{3}{4}$ in. U.H.)	1	

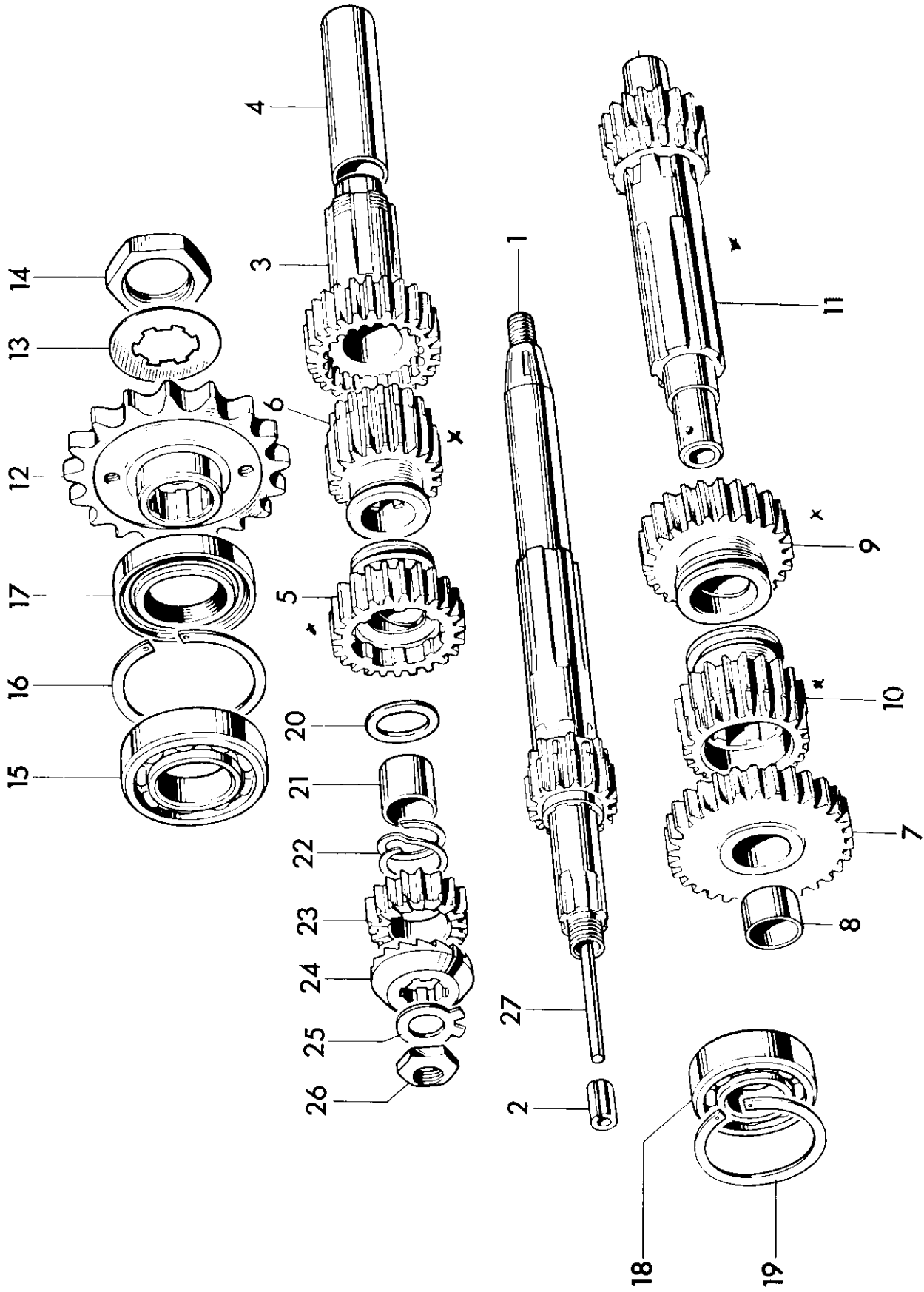


Fig. 8. GEARBOX SHAFTS AND GEARS



### GEARBOX SHAFTS AND GEARS

1	T2436	MAINSHAFT c/w LOW GEAR (16T)	...	...	...	...	1	
2	PT108B	Clutch rod bush	...	...	...	...	1	
3	T2316	MAINSHAFT HIGH GEAR (26T)	...	...	...	...	1	
4	T1370	High gear bush	...	...	...	...	1	
5	T2378	Mainshaft third gear (24T)	...	...	...	...	1	
6	T946 T3857	Mainshaft second gear (20T)	...	...	...	...	1	
7	T926 T3862	LAYSHAFT LOW GEAR (30T)	...	...	...	...	1	
8	T928	Low gear bush	...	...	...	...	1	
9	T1065 T3861	Layshaft second gear (26T)	...	...	...	...	1	
10	T2379	Layshaft third gear (22T)	...	...	...	...	1	
11	T2093	Layshaft c/w high gear (20T)	...	...	...	...	1	
12	T1952	Gearbox sprocket (15 teeth)	...	...	...	...	1	
12	T1953	Gearbox sprocket (16 teeth)	...	...	...	...	1	
12	T1916	Gearbox sprocket (17 teeth) <i>S. CAR</i>	...	...	...	...	1	} See pages 6 to 12 for standard sizes
12	T1917	Gearbox sprocket (18 teeth)	...	...	...	...	1	
12	T1918	Gearbox sprocket (19 teeth) <i>STD.</i>	...	...	...	...	1	
12	T1919	Gearbox sprocket (20 teeth)	...	...	...	...	1	
13	T2116	Tab washer	...	...	...	...	1	
14	T440	Gearbox sprocket nut	...	...	...	...	1	
15	T448	High gear bearing <i>6.0-35.5.6</i>	...	...	...	...	1	
16	T489	Circlip	...	...	...	...	1	
17	T946	Oil seal	...	...	...	...	1	
18	S35-7	Mainshaft bearing <i>(... 25.2 ... 4.5 ...)</i>	...	...	...	...	1	
19	T280	Circlip	...	...	...	...	1	
20	T1962	Plain washer	...	...	...	...	1	
21	T1963	Pinion sleeve	...	...	...	...	1	
22	T1250	Pinion spring	...	...	...	...	1	
23	T730	Kickstarter pinion	...	...	...	...	1	
24	T731	Kickstarter ratchet	...	...	...	...	1	
25	T2240	Tab washer	...	...	...	...	1	
26	S594	Nut	...	...	...	...	1	
27	T1736	Clutch operating rod	...	...	...	...	1	

### WIDE RATIO GEARS

3	T1912	MAINSHAFT HIGH GEAR (28T)	...	...	...	...	1	
6	T968	Mainshaft second gear (19T)	...	...	...	...	1	
9	T974	Layshaft second gear (27T)	...	...	...	...	1	
11	T1844	Layshaft c/w high gear (18T)	...	...	...	...	1	

### CLOSE RATIO GEARS

1	T2438	MAINSHAFT c/w LOW GEAR (18T)	...	...	...	...	1	
3	T1910	MAINSHAFT HIGH GEAR (24T)	...	...	...	...	1	
5	T1179	Mainshaft third gear (23T)	...	...	...	...	1	
6	T955	Mainshaft second gear (21T)	...	...	...	...	1	
7	T961	LAYSHAFT LOW GEAR (28T)	...	...	...	...	1	
9	T963	Layshaft second gear (25T)	...	...	...	...	1	
10	T964	Layshaft third gear (23T)	...	...	...	...	1	
11	T1845	Layshaft c/w high gear (22T)	...	...	...	...	1	

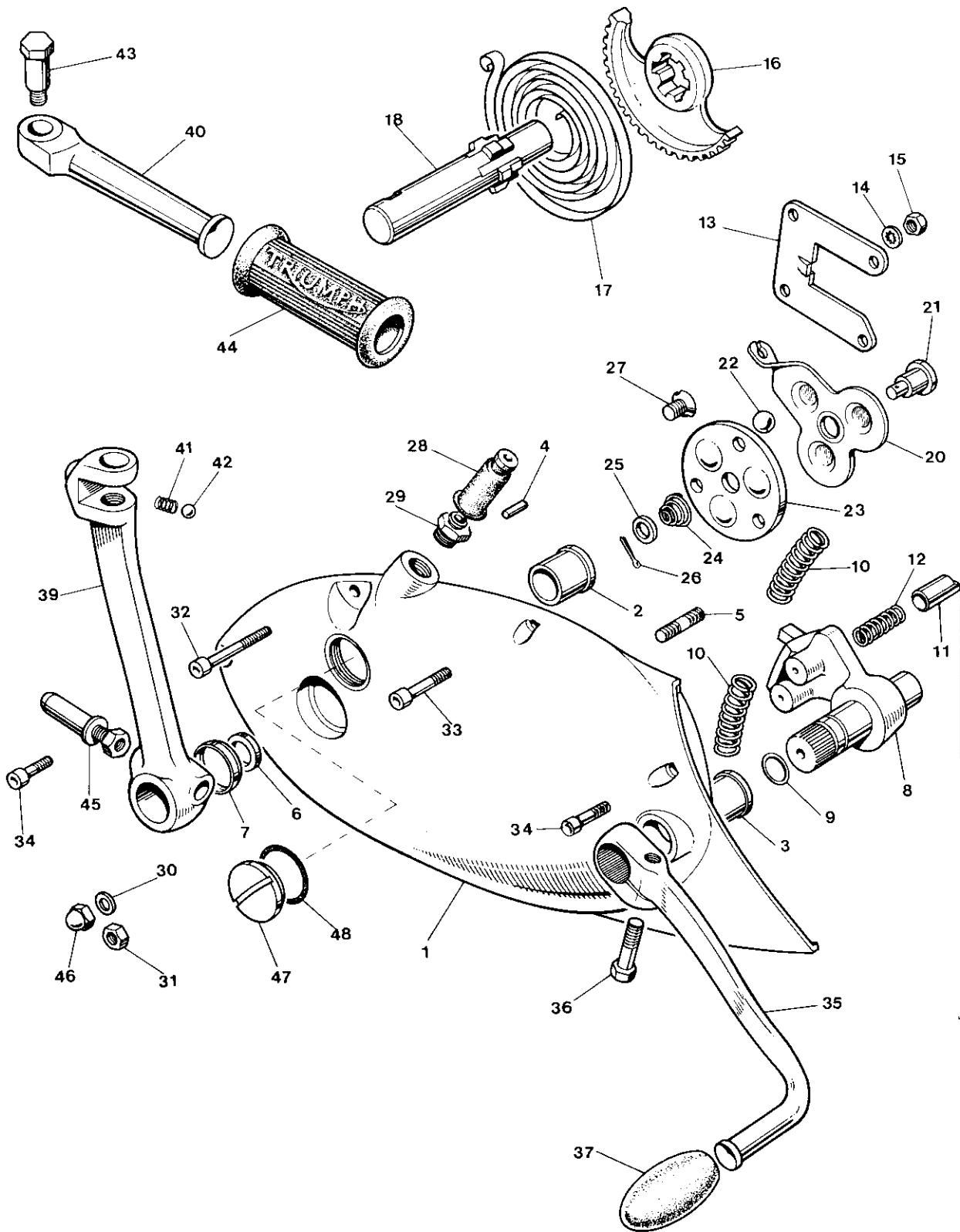


Fig. 9. GEARBOX OUTER COVER

Ref. No.	Part No.	DESCRIPTION	QUANTITY	REMARKS
<b>GEARBOX OUTER COVER</b>				
1	T3760	GEARBOX OUTER COVER	1	
2	T57	Gearchange spindle bush...	1	
3	T23	Kickstarter spindle bush	1	
4	T47	Kickstarter spring anchor pin	1	
5	T547	Guide plate stud ( $\frac{7}{8}$ in. O.A.)	4	
6	T1956	Oil seal	1	
7	T1955	Oil seal housing	1	
8	T408/9	Gearchange quadrant	1	
9	E3309	Rubber "O" ring	1	
10	T404	Quadrant return spring	2	
11	T406	Gearchange quadrant plunger	2	
12	T405	Plunger spring	2	
13	T407	Guide plate	1	
14	E1612	Serrated washer	4	
15	14-0301	Nut	4	
16	T25A	Kickstarter quadrant	1	
17	T31	Kickstarter return spring	1	
18	T24A	Kickstarter axle	1	
19	T3629	CLUTCH LEVER ASSEMBLY	1	
20	T2191	Clutch lever	1	
21	T1710	Lever shaft	1	
22	T1771	Ball, $\frac{3}{8}$ in. diam.	3	
23	T1711	Thrust plate	1	
24	T1712	Return spring	1	
25	GS127	Plain washer	1	
26	$\frac{3}{4}$ in. x $\frac{1}{2}$ in.	Split pin	1	
27	S1879	Countersunk screw ( $\frac{13}{32}$ in. O.A.)	2	
28	T1646	Rubber cover	1	
29	T3762	Abutment for clutch cable	1	
30	S25-3	Plain washer	2	
31	14-0302	Nut	1	
32	S1878	Screw ( $2\frac{3}{4}$ in. U.H.)	2	
33	14-6609	Screw ( $1\frac{5}{16}$ in. U.H.)	2	
34	14-6608	Screw (1 in. U.H.)	1	
35	T3757	Gearchange pedal	1	
36	W932	Bolt (1 in. U.H.)	1	
37	T2450	Pedal rubber	1	
38	T3632	FOLDING KICKSTARTER	1	
39	T2173	Kickstarter lever	1	
40	T1272	Kickstarter pedal	1	
41	T1167	Pedal locating spring	1	
42	S70-3	Steel ball, $\frac{1}{4}$ in. diam.	1	
43	S541	Pedal bolt	1	
44	T2330	Pedal rubber	1	
45	T1222	Cotter pin c/w nut and washer	1	
46	S544	Domed nut	1	
47	T2166	Filler plug	1	
48	E8782	Fibre washer	1	

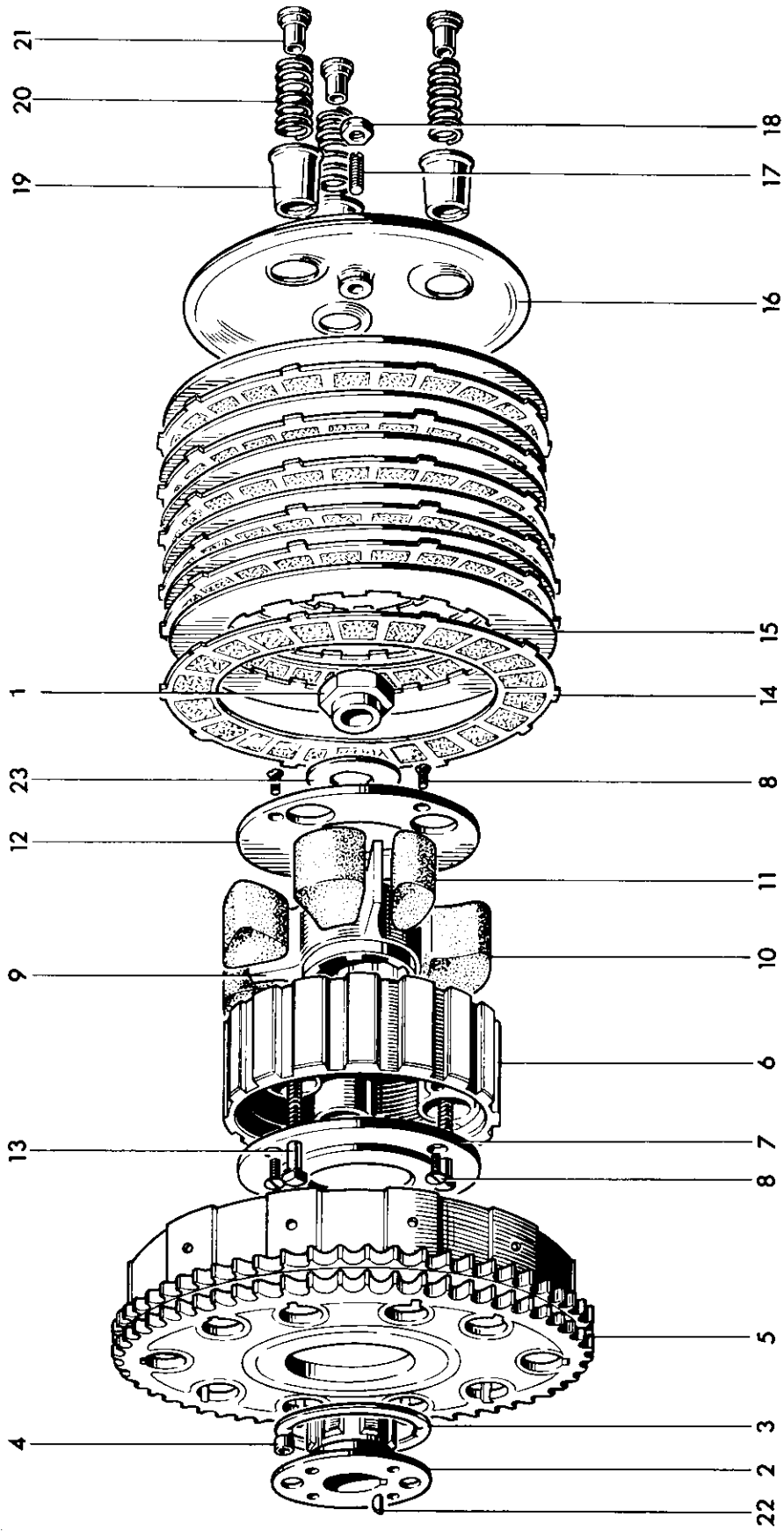


Fig. 10. CLUTCH

Ref. No.	Part No.	DESCRIPTION	QUANTITY	REMARKS
----------	----------	-------------	----------	---------

**CLUTCH**

1	S586	Clutch securing nut	1	
2	T1734	Hub	1	
3	T1735	Thrust washer	1	
4	T394	Roller	20	
5	T1570	Sprocket and housing (58 teeth Duplex)	1	
6	T1719	Centre	1	
7	T1720	Inner plate	1	
8	T1040	Countersunk screw (0.417 in. U.H.)	6	
9	T2538	Shock absorber spider	1	
10	T1722	Drive rubber (large)	3	
11	T1723	Rebound rubber (small)	3	
12	T1724	Outer plate	1	
13	T423A	Screwed pin ( $1\frac{27}{32}$ in. U.H.)	3	
14	T1362	Driving plate (bonded)	6	
15	T1363	Driven plate	6	
16	T2156	Pressure plate	1	
17	T2159	Adjuster pin	1	
18	14-0403	Nut	1	
19	T1931	Spring cup	3	
20	T1830	Spring	3	
21	T2526	Brass nut	3	
22	S66-1	Key	1	
23	T2279	Cupped washer	1	

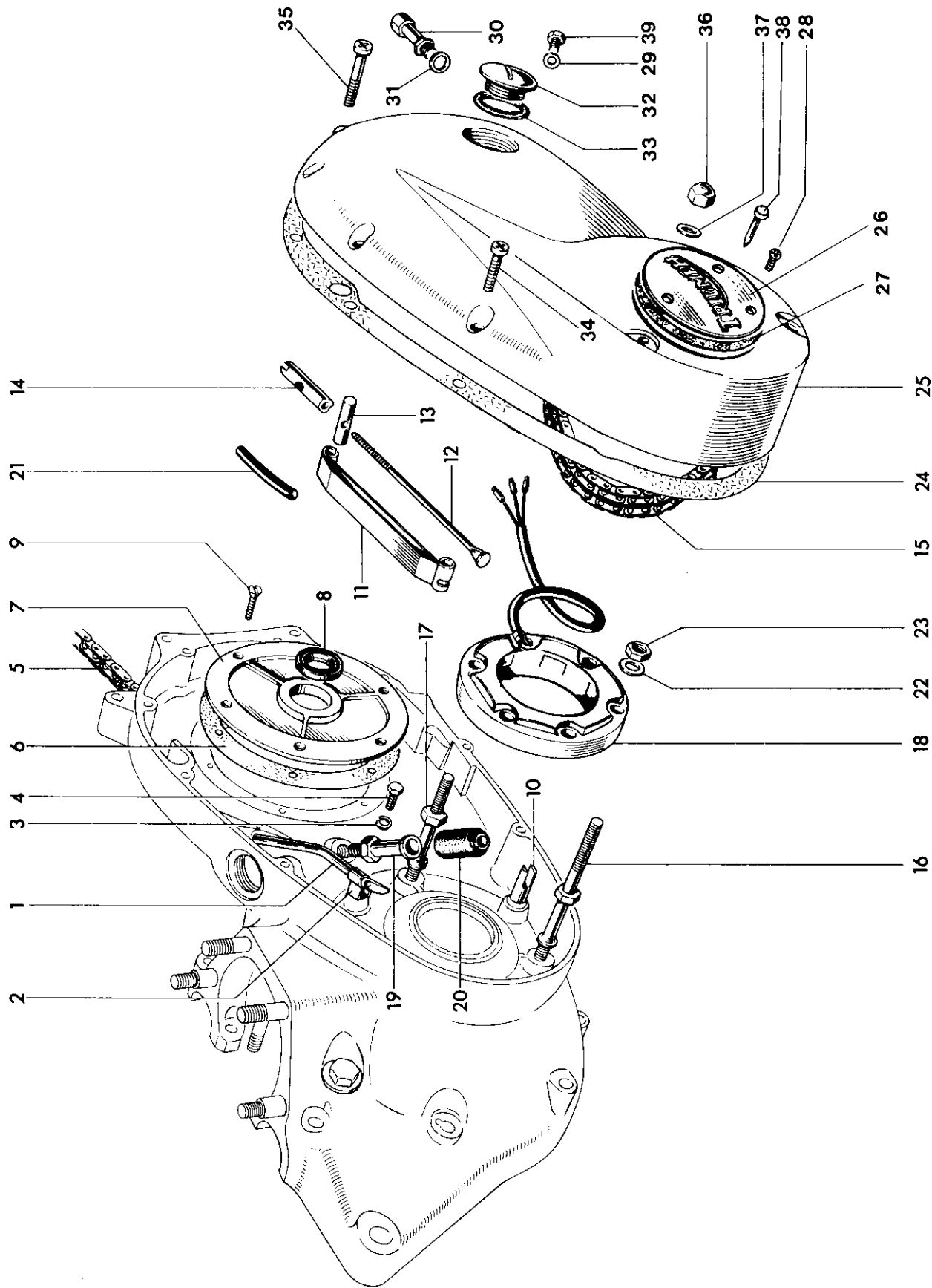


Fig. 11. CHAINCASE AND CHAINS

**CHAINCASE AND CHAINS**

1	E4704	Primary chain oiler tube	1	
2	E4705	Clip	1	
3	S26-2	Spring washer	1	
4	14-0101	Bolt ( $\frac{7}{16}$ in. U.H.)	2	
5	D530	Rear chain, $\frac{5}{8}$ in. x $\frac{3}{8}$ in. x 104 links	1	
6	E3832	Joint washer	1	
7	E7037	Cover plate	1	
8	E7565	Oil seal	1	
9	E3821	Countersunk screw ( $\frac{5}{16}$ in. U.H.)	6	
10	E5976	Chain tensioner abutment	1	
11	E6061	Chain tensioner blade	1	
12	E4152	Tie rod	1	
13	E5977	Trunnion	1	
14	E9703	Adjuster sleeve nut	1	
15	D477	Primary chain, $\frac{3}{8}$ in. Duplex x 84 links	1	
16	S1866	Stator stud	2	
17	S1867	Stator stud	1	
18	99-1006	Stator, RM21 (47205)	1	
19	E8992	Sleeve nut	1	
20	E4144	Rubber grommet	1	
21	E5449	Plastic sleeve	1	
22	S25-3	Plain washer	3	
23	14-0702	Self-locking nut	3	
24	T1770	Joint washer	1	
25	E9245	Chaincase	1	
26	T2440	Rotor cover	1	
27	T2442	Joint washer	1	
28	F4129	Screw	3	
29	E2441	Copper washer	1	
30	T2559	Drain and adjuster plug	1	
31	T1738	Fibre washer	1	
32	T2166	Filler plug	1	
33	E8782	Fibre washer	1	
34	14-6608	Screw (1 in. U.H.)	6	
35	14-6620	Screw ( $\frac{29}{32}$ in. U.H.)	2	
36	S544	Domed nut	2	
37	F1880	Copper washer	2	
38	T2443	Timing pointer	1	
39	14-6101	Level plug	1	

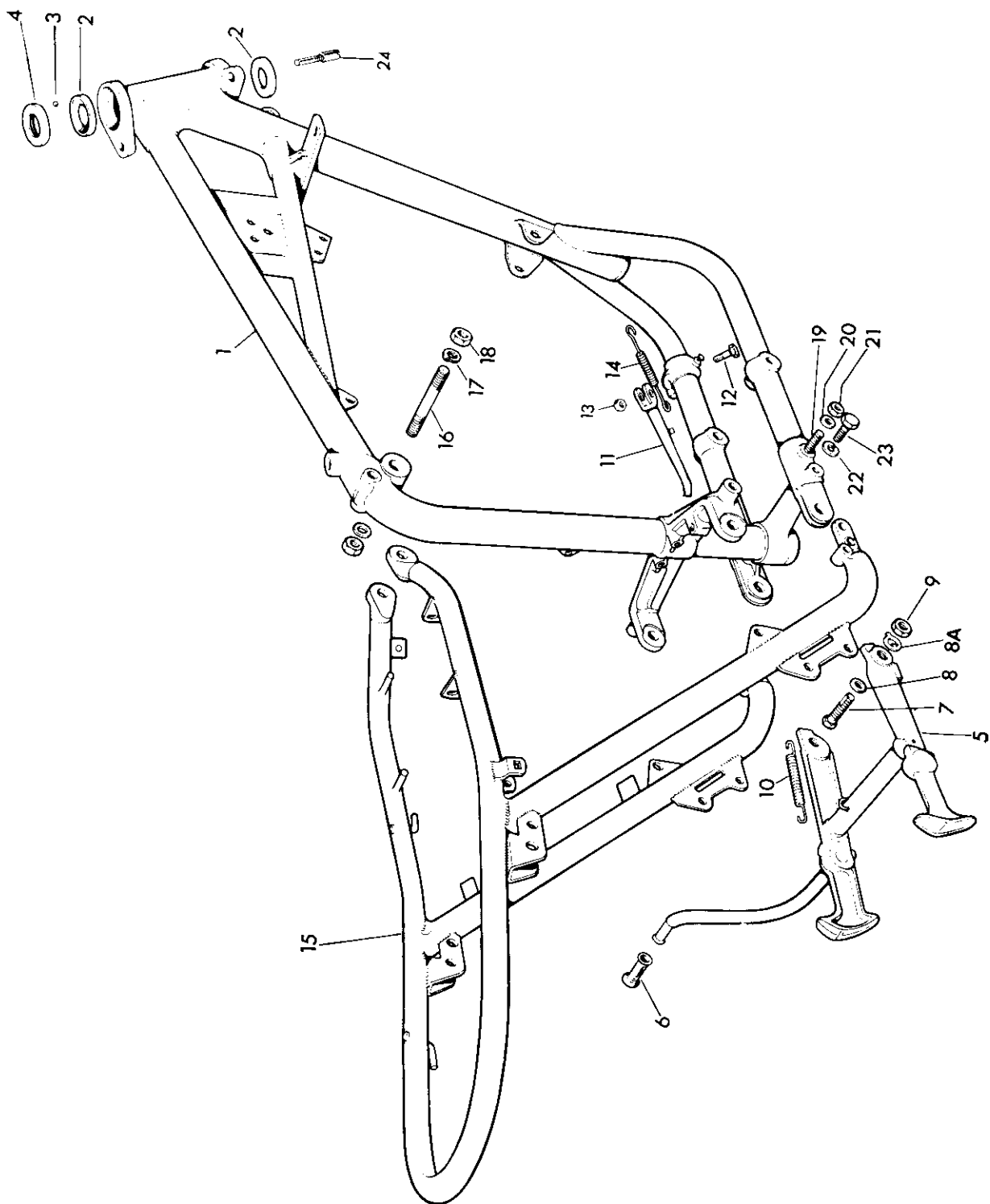


Fig. 12. FRAME



Ref. No.	Part No.	DESCRIPTION	QUANTITY	REMARKS
----------	----------	-------------	----------	---------

**FRAME**

1	F7843	Front frame ... ..	1	
2	H111	Steering race cup ... ..	2	
3	S70-3	Steel ball ( $\frac{1}{2}$ in. diam.) ... ..	40	
4	H1018	Top cone and dust cover ... ..	1	
5	F9365	Centre stand ... ..	1	
6	T2331	Pedal rubber ... ..	1	
7	F9368	Pivot bolt ... ..	2	
8	F5679	Plain washer ... ..	2	
8A	F4484	Tab washer ... ..	2	
9	14-0405	Nut ... ..	2	
10	F4671	Return spring ... ..	1	
11	F7849	Prop stand ... ..	1	
12	F7021	Pivot bolt ... ..	1	
13	14-0703	Self locking nut ... ..	1	
14	F8382	Return spring ... ..	1	
15	F8036	Rear frame ... ..	1	
16	S1801	Stud ( $3\frac{7}{8}$ in. O.A.) ... ..	1	
17	S26-1	Spring washer ... ..	2	
18	14-0303	Nut ... ..	2	
19	14-0251	Bolt ( $2\frac{1}{16}$ in. U.H.) ... ..	2	
20	F4370	Plain washer ... ..	2	
21	14-0304	Nut ... ..	2	
22	PCW73A	Spring washer ... ..	2	
23	S588	Bolt ( $1\frac{3}{16}$ in. U.H.) ... ..	2	
24	F7155	Steering stop ... ..	2	

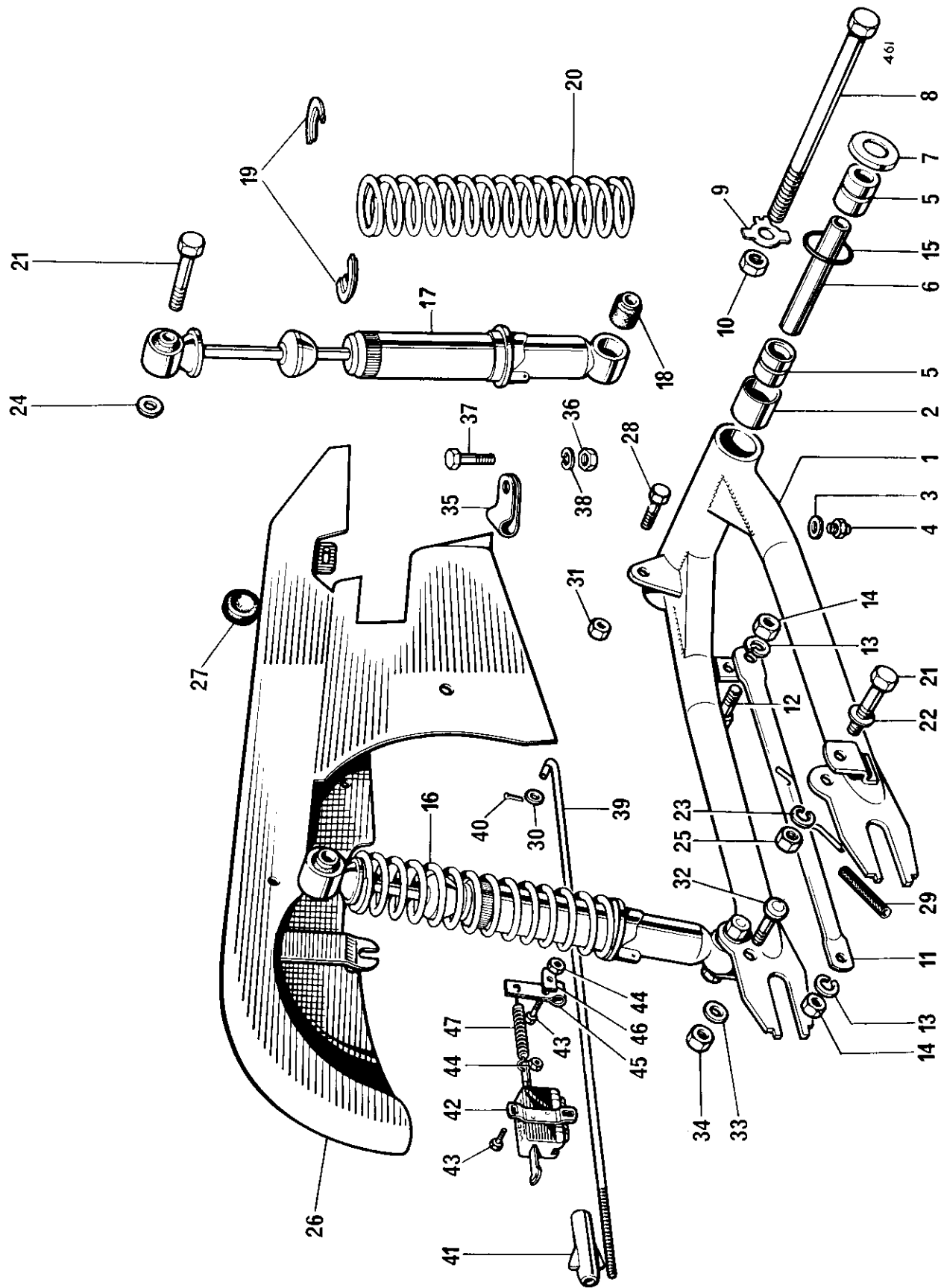


Fig. 13. SWINGING FORK AND SUSPENSION UNITS

Ref. No.	Part No	DESCRIPTION	QUANTITY	REMARKS
<b>SWINGING FORK AND SUSPENSION UNITS</b>				
1	F10045	SWINGING FORK	1	
2	F6042	Pivot bush	2	
3	NW100	Grease nipple	1	
4	WE170	Fibre washer	1	
5	F6821	Sleeve	2	
6	F5313	Distance tube	1	
7	F7848	Flanged washer	2	
8	S620	Bolt ( $8\frac{5}{8}$ in. U.H.)	1	
9	F5944	Tab washer	1	
10	S545	Nut	1	
11	F7365	Brake torque stay	1	
12	S1802	Bolt ( $3\frac{7}{8}$ in. U.H.)	1	
13	PCW73A	Spring washer	2	
14	14-0304	Nut	2	
15	F8090	"O" ring	2	
16	D2023	SUSPENSION UNIT (64052106)	2	TR6, T120
17	Reference only	Damper unit	2	
18	99-0122	Bonded bush (64533645)	4	
19	99-0107	Spring retainer (9054/171)	4	
20	99-1047	Spring, 145 lbs. chrome (64544234)	2	TR6, T120
21	14-0235	Unit fixing bolt ( $1\frac{5}{16}$ in. U.H.)	4	
22	S25-2	Plain washer	2	
23	S26-1	Spring washer	2	
24	GS308	Plain washer	3	
25	14-0303	Nut	4	
26	F7067	Chainguard	1	
27	F5536	Grommet	1	
28	14-0113	Bolt ( $1\frac{9}{16}$ in. U.H.)	1	
29	F7364	Rubber tube	1	
30	S25-13	Plain washer	1	
31	14-0702	Self-locking nut	1	
32	F9387	Stepped bolt	1	
33	S25-3	Plain washer	1	
34	14-0302	Nut	1	
35	F3808	Clip	1	
36	F879	Nut	1	
37	F1369	Bolt ( $\frac{5}{8}$ in. U.H.)	1	
38	S26-2	Spring washer	1	
39	F7386	Brake operating rod	1	
40	$\frac{1}{16}$ in. x $\frac{3}{8}$ in.	Split pin	1	
41	F7387	Adjuster nut	1	
42	99-0725	Stop lamp switch, type 22B (31437B)	1	
43	T1076	Screw ( $\frac{3}{8}$ in. U.H.)	3	
44	F4717	Self locking nut	5	
45	F5412	Switch lever	1	
46	F5413	"D" washer	1	
47	F3158	Spring (315738)	1	

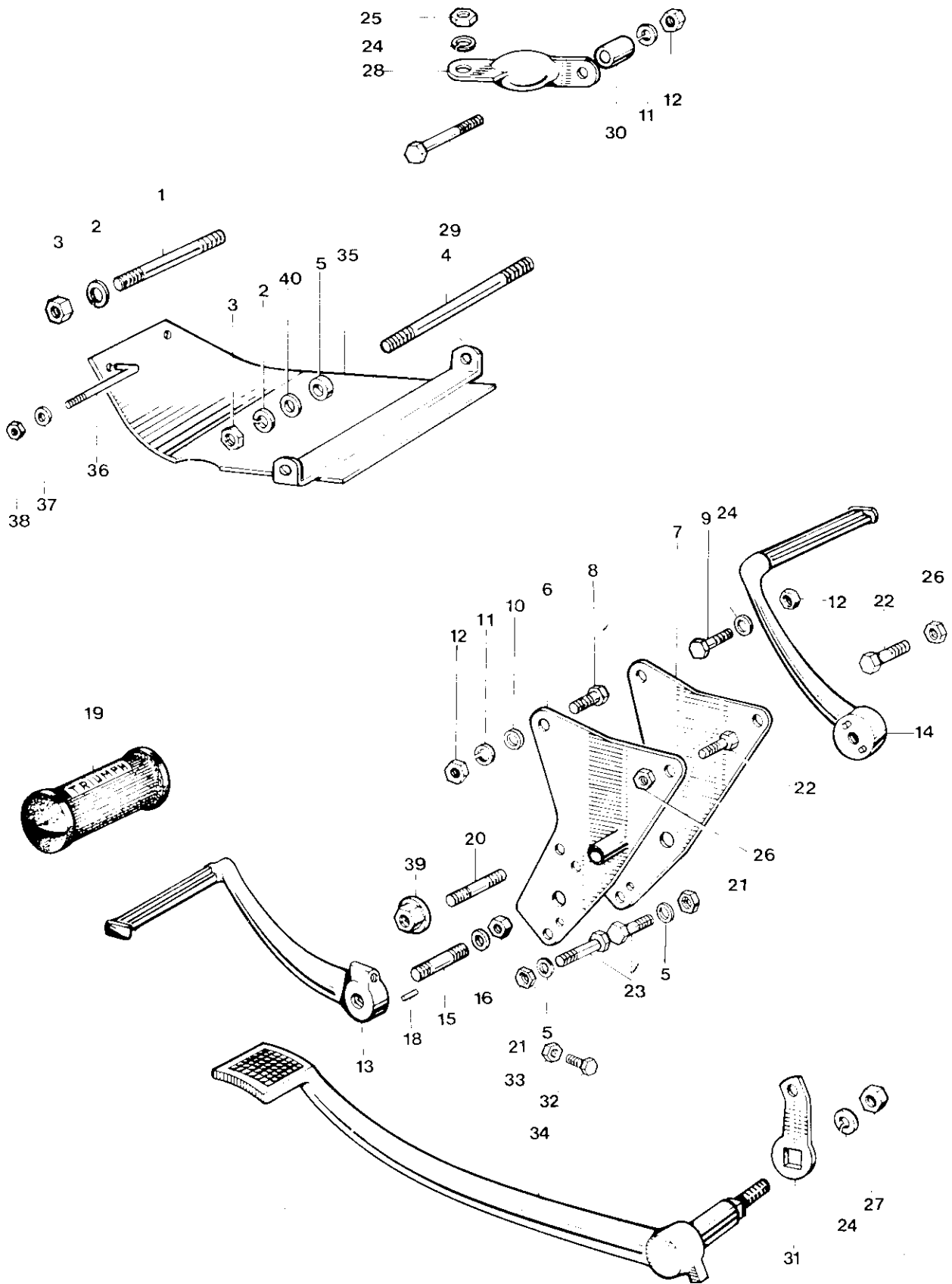


Fig. 14. ENGINE UNIT FITTING AND FOOTRESTS

**ENGINE UNIT FITTINGS AND FOOTRESTS**

1	F5469	Stud (3 $\frac{5}{16}$ in. O.A.)	1	
2	PCW73A	Spring washer	4	
3	DS47	Nut	4	
4	F6498	Stud (8 $\frac{1}{16}$ in. O.A.)	1	
5	F5532	Distance piece	2	
6	F6066	Left rear engine plate	1	
7	F5908	Right rear engine plate	1	
8	14-0220	Bolt (1 $\frac{3}{4}$ in. U.H.)	2	
9	14-0221	Bolt (2 in. U.H.)	2	
10	S25-3	Plain washer	4	
11	S26-3	Spring washer	6	
12	14-0302	Nut	6	
13	F9736	Left footrest	1	
14	F9624	Right footrest	1	
15	S1800	Stud (1 $\frac{9}{16}$ in. O.A.)	2	
16	S25-6	Plain washer	2	
17	14-0305	Nut	2	
18	F5943	Peg	4	
19	NF704	Footrest rubber	2	
20	S548	Stud (1 $\frac{3}{8}$ in. O.A.)	2	
21	14-0303	Nut	1	
22	14-0126	Bolt ( $\frac{3}{4}$ in. U.H.)	1	
23	14-0234	Bolt (1 $\frac{3}{4}$ in. U.H.)	2	
24	S26-1	Spring washer	9	
25	S1-52	Nut	5	
26	14-0403	Nut	2	
27	P0172A	Nut	3	
28	E4778	Engine torque stay	4	
29	14-0218	Bolt (1 $\frac{5}{16}$ in. U.H.)	2	
30	F3069	Distance piece	4	
31	F6064	Brake pedal lever	1	
32	14-0105	Bolt ( $\frac{15}{16}$ in. U.H.)	1	
33	14-0401	Nut	1	
34	F6449	Brake pedal	1	
35	F10040	Crankcase undershield...	1	} TR6
36	F5788	Hook bolt	2	
37	S25-1	Plain washer	2	
38	F879	Nut	2	
39	F7389	Nut	2	
40	F4370	Plain washer	2	

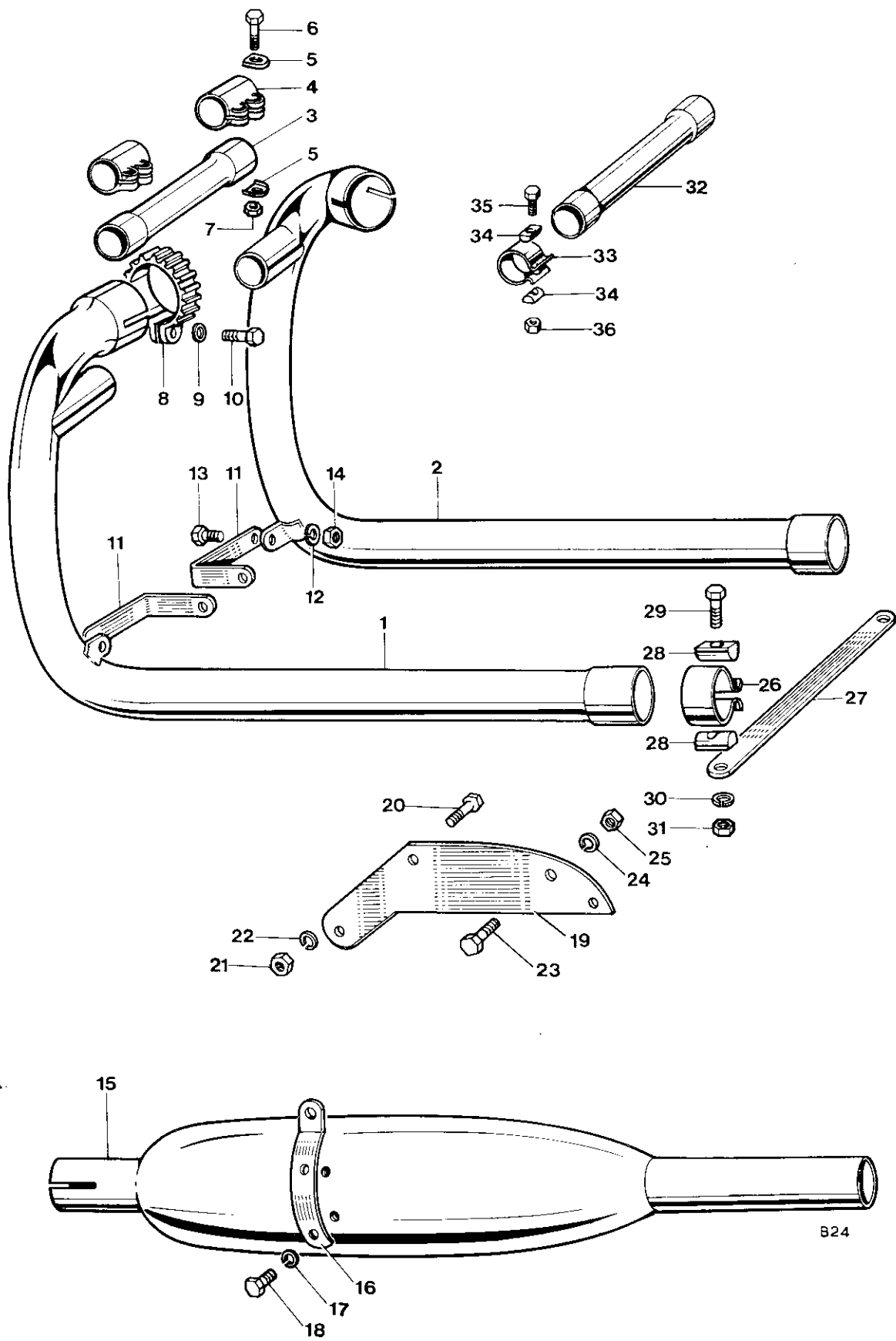


Fig. 15. EXHAUST PIPES AND SILENCERS

**EXHAUST PIPES AND SILENCERS**

1	E9363	EXHAUST PIPE D.S. ... ..	1	
2	E9364	EXHAUST PIPE T.S. ... ..	1	
3	E9368	Coupling pipe ... ..	1	
4	E9627	Clip ... ..	2	
5	E9626	Cap ... ..	8	
6	14-0204	Bolt (1 $\frac{3}{8}$ in. U.H.) ... ..	4	
7	14-0301	Nut, coupling pipe ... ..	4	
8	E10216	Clip, exhaust pipe to head ... ..	2	
9	E8860	Spherical washer ... ..	2	
10	E6744	Bolt (for clip) ... ..	2	
11	E6857	Exhaust pipe tie ... ..	2	
12	S26-3	Spring washer ... ..	2	
13	E6179	Screw ... ..	2	
14	E7471	Nut ... ..	2	
15	E5866	Silencer ... ..	2	
16	E4951	Bracket ... ..	2	
17	S26-3	Spring washer ... ..	4	
18	F929	Bolt, bracket to silencer ( $\frac{1}{2}$ in. U.H.) ... ..	4	
19	E4711	Hanger, frame for silencer ... ..	2	
20	14-0115	Bolt ( $\frac{7}{8}$ in. U.H.) ... ..	4	
21	14-0302	Nut ... ..	4	
22	S26-3	Spring washer ... ..	4	
23	14-0114	Bolt ( $\frac{3}{4}$ in. U.H.) ... ..	2	
24	S26-3	Spring washer ... ..	2	
25	14-0302	Nut ... ..	2	
26	E2271	Clip ... ..	2	
27	E5676	Stay ... ..	1	
28	E3768	'D' washer ... ..	4	
29	14-0219	Bolt (1 $\frac{1}{2}$ in. U.H.) ... ..	2	
30	S26-3	Spring washer ... ..	2	
31	S1908	Nut ... ..	2	
32	E9888	Coupling pipe ... ..	1	} Alternative parts used on later models
33	E7512	Clip ... ..	2	
34	E3768	'D' washer ... ..	4	
35	14-0219	Bolt ... ..	2	
36	14-1302	Nut ... ..	2	

ASSEMBLY REF. No. 1

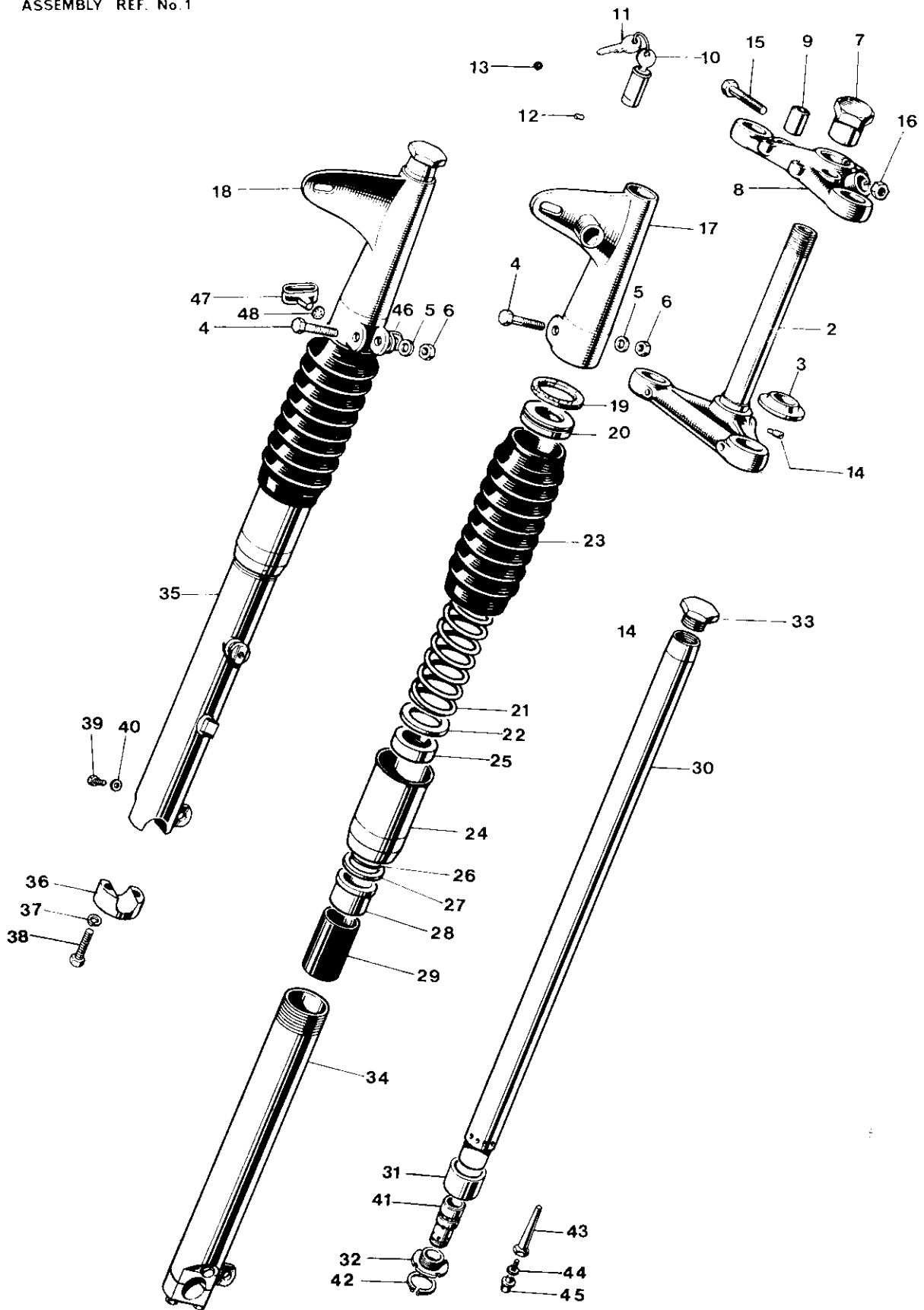


Fig. 16. TELESCOPIC FRONT FORK



**TELESCOPIC FRONT FORK**

1	H3656	FORK ASSEMBLY	1	
2	H3659	Middle lug and stem	1	
3	H439	Bottom cone	1	
4	H2290	Pinch bolt (2 $\frac{1}{4}$ in. U.H.)	2	
5	S25-2	Plain washer	2	
6	14-1303	Cleveloc nut	2	
7	H2263	Sleeve nut (blind)	1	
8	H3667	Top lug	1	
9	H1527	Bonded bush	2	
10	F6738	Lock c/w 2 keys	1	
11	D623	Key (state serial number)	1	
12	S578	Grub screw	1	
13	H2266	Sealing washer	1	
14	H2107	Securing pin	1	
15	S684	Pinch bolt (1 $\frac{11}{16}$ in. U.H.)	1	
16	S685	Seated nut	1	
17	H2161	Left top cover	1	
18	H2162	Right top cover	1	
19	F4047	Cork washer	2	
20	H1657	Spring abutment	2	
21	H1891	Solo main spring (Yellow/Blue)	2	
21	H1892	Main spring (Yellow/Green), sidecar	available	
22	H1656	Plain washer	2	
23	H3635	Telescopic gaiter	2	
24	H3633	DUST EXCLUDER SLEEVE NUT	2	
25	H1500	Oil seal	2	
26	H2119	"O" ring	2	
27	H431	Plain washer	2	
28	H441	Top bearing	2	
29	H1896	Damping sleeve	2	
30	H2092	Stanchion	2	
31	H443	Lower bearing	2	
32	H2091	Bearing nut	2	
33	H2245	Cap nut	2	
34	H2294	LEFT BOTTOM MEMBER c/w CAP	1	
35	H2295	RIGHT BOTTOM MEMBER c/w CAP	1	
36	H1844	Spindle cap...	2	
37	S26-3	Spring washer	4	
38	14-0218	Cap bolt (1 $\frac{7}{16}$ in. U.H.)	4	
39	H519	Drain plug	2	
40	H430	Fibre washer	2	
41	H2154	Shuttle valve	2	
42	H2127	Circlip	2	
43	H2090	Restrictor	2	
44	H2126	Flanged bolt	2	
45	H1062	Aluminium washer	2	
46	H3682	Brake cable bracket	1	
47	H2270	Cable retainer	1	
48	F8245	Starlock washer	1	

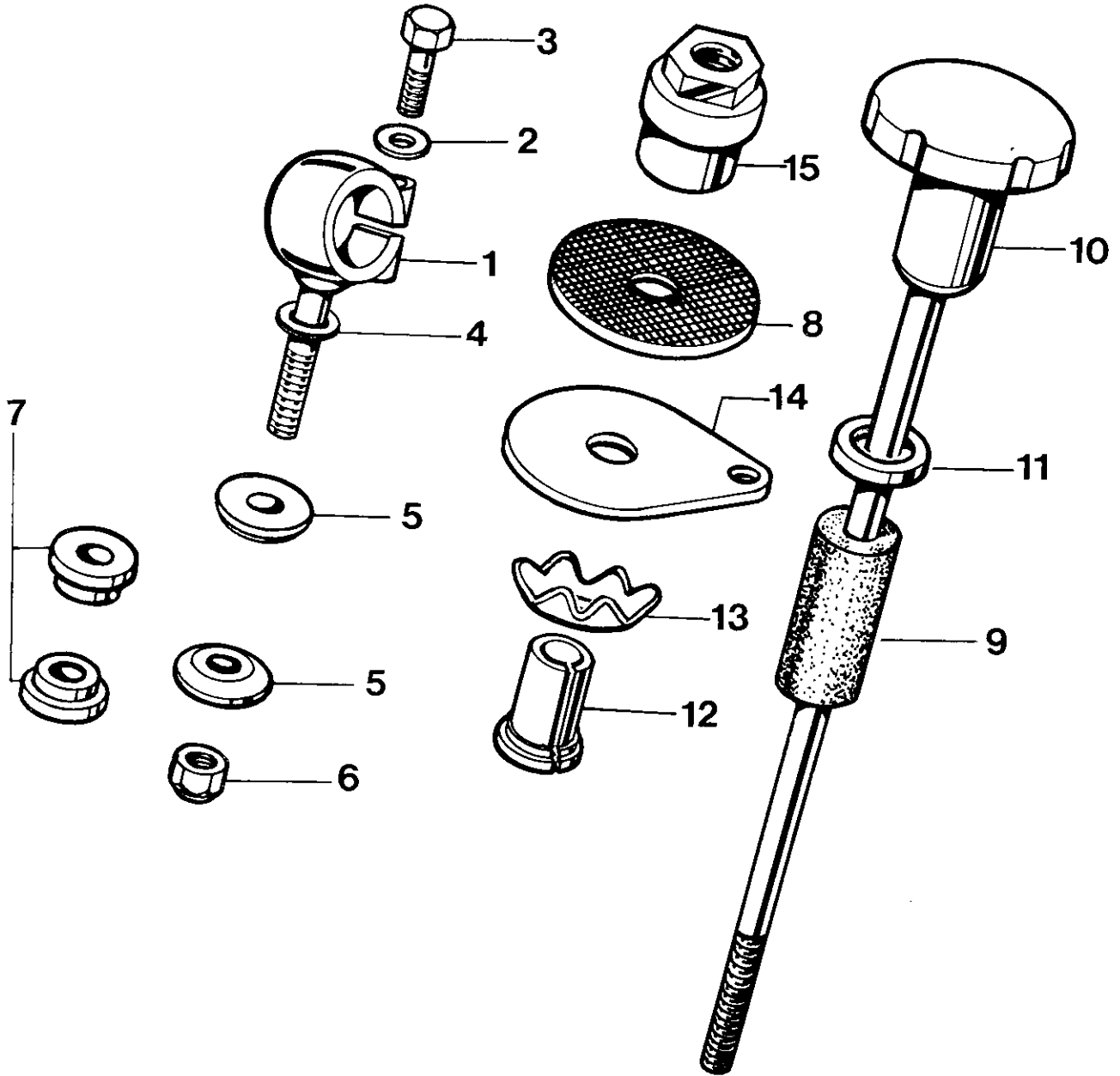


Fig. 17. HANDLEBAR MOUNTINGS AND STEERING DAMPER

**HANDLEBAR MOUNTINGS AND STEERING DAMPER**

1	H2291	Handlebar eyebolt	...	...	...	...	...	...	2	} TR6,T120
2	F1335	Plain washer	...	...	...	...	...	...	2	
3	H1340	Bolt (1 $\frac{1}{8}$ in. U.H.)	...	...	...	...	...	...	2	
4	H1708	Plain washer	...	...	...	...	...	...	2	
5	H1529	Hemispherical washer	...	...	...	...	...	...	2	
6	14-1903	Self-locking nut	...	...	...	...	...	...	2	} as required
7	H1616	Solid bush (for handlebar-mounted windscreen)	...	...	...	...	...	...	as required	
8	H435	Friction disc	...	...	...	...	...	...	available	
9	H1618	Rubber sleeve	...	...	...	...	...	...	available	
10	H1145	Steering damper c/w rod	...	...	...	...	...	...	available	
11	H565	Plain washer	...	...	...	...	...	...	available	
12	H408	Adjuster sleeve	...	...	...	...	...	...	available	
13	H95	Spring plate	...	...	...	...	...	...	available	
14	H1797	Anchor plate	...	...	...	...	...	...	available	
15	H2108	Fork stem sleeve nut	...	...	...	...	...	...	available	

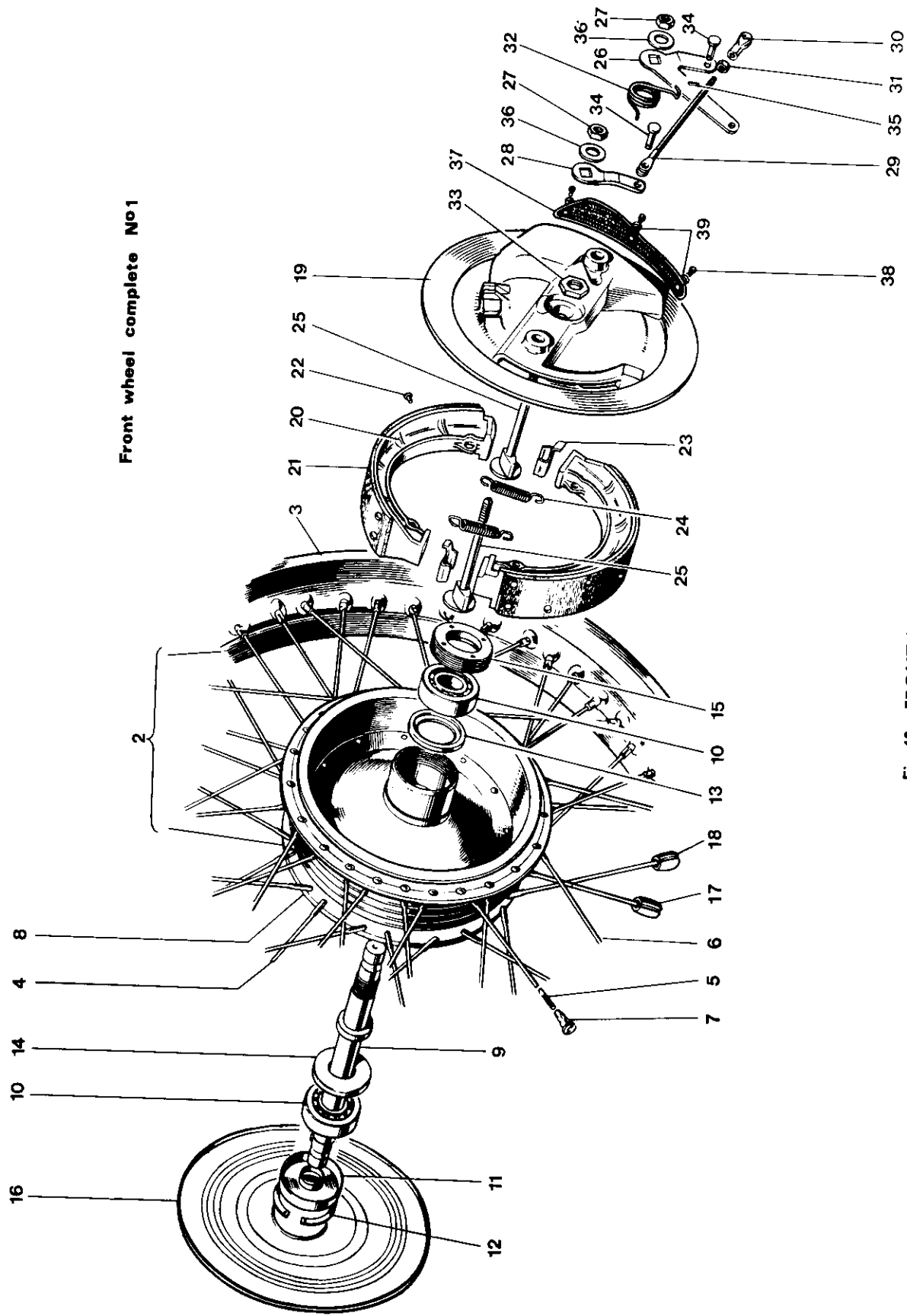


Fig. 19. FRONT WHEEL

**FRONT WHEEL**

1	W3458	FRONT WHEEL COMPLETE	1	
2	W1721	RIM, SPOKES AND HUB ASSEMBLY	1	
3	W1230	Front wheel rim (WM2-19)	1	
4	W1328	Spoke (8/10G x 5 $\frac{5}{8}$ in. straight) c/w nipple	20	
5	W1708	Spoke (8/10G x 4 $\frac{25}{32}$ in. 78°) c/w nipple	10	
6	W1709	Spoke (8/10G x 4 $\frac{7}{8}$ in. 100°) c/w nipple	10	
7	S79-2	Spoke nipple	40	
8	W1693	Hub and brake drum	1	
9	W2057	Wheel spindle	1	
10	W653	Bearing	2	
11	W1237	Dust cover	1	
12	T280	Circlip	1	
13	W1481	Grease retainer	1	
14	W3337	Bearing support ring	1	
15	W3460	Retaining ring	1	
16	W1992	Cover plate	1	
17	W1197	Balance weight, $\frac{1}{2}$ oz.		as required
18	W1198	Balance weight, 1 oz.		as required
19	W3462	Brake anchor plate	1	
20	W1996	BRAKE SHOE c/w LINING	2	
21	W1998	Brake lining	2	
22	W2059	Brass rivet	16	
23	W2026	Abutment pad	2	
24	W135	Shoe return spring	2	
25	W2001	Brake cam	1	
26	W3453	Brake cam lever (front)	1	
27	14-0302/001	Nut	2	
28	W3454	Brake cam lever (rear)	1	
29	W2003	Rod assembly	1	
30	W2005	Fork end, threaded	1	
31	14-0401/001	Locknut	1	
32	W592	Lever return spring	1	
33	W2058	Anchor plate nut	1	
34	WF32	Pivot pin	2	
35	D2683	Split pin $\frac{1}{8}$ in diam. x $\frac{3}{8}$ in. long	2	
36	S25-6	Plain washer	2	
37	W1991	Anchor plate gauze (for air scoop)	1	
38	S650	Taptite screw	3	
39	F2351	Washer for taptite screws	3	

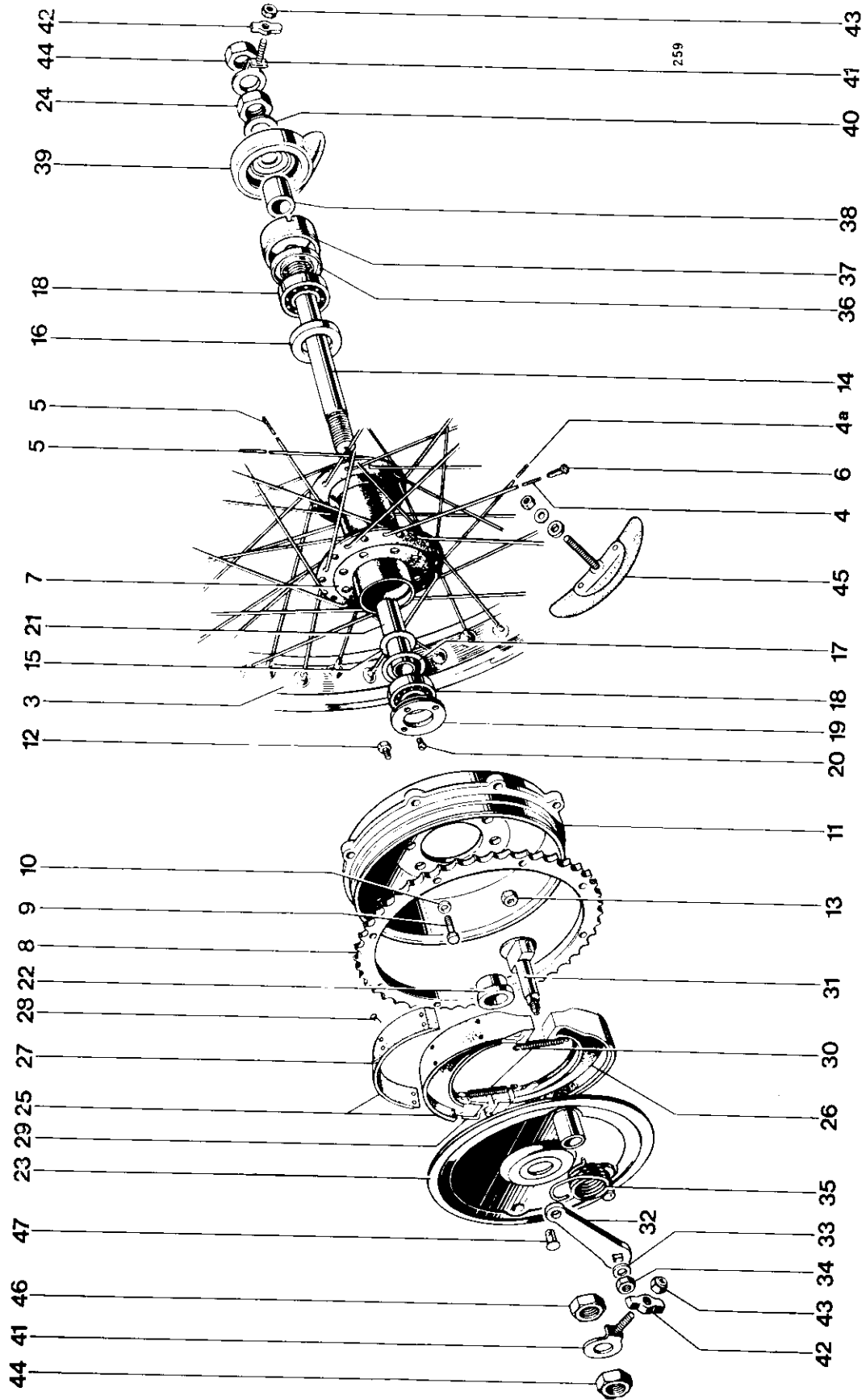


Fig. 19. REAR WHEEL

Ref. No.	Part No.	DESCRIPTION	QUANTITY	REMARKS
<b>REAR WHEEL</b>				
1	*W2101	REAR WHEEL COMPLETE ... ..	1	
2	W1470	RIM, SPOKES AND HUB ASSEMBLY ... ..	1	
3	W1471	Rear wheel rim WM2-18 ... ..	1	
4	W1107	Spoke (8/10G x 7 $\frac{9}{16}$ in. 90°) ... ..	10	
4A	W3402	Spoke (8/10G x 7 $\frac{9}{16}$ in. 110°) ... ..	10	
5	W1108	Spoke (8/10G x 7 $\frac{7}{8}$ in. 90°) ... ..	20	
6	S79-2	Spoke nipple ... ..	40	
7	W1472	Hub ... ..	1	
8	W1499	Sprocket, 46T ... ..	1	
9	W1500	Bolt ( $\frac{13}{16}$ in. U.H.) ... ..	8	
10	E1612	Serrated washer ... ..	8	
11	W1498	Brake drum ... ..	1	
12	W1690	Bolt ( $\frac{11}{16}$ in. U.H.) ... ..	8	
13	W1691	Self locking nut ... ..	8	
14	W1281	Wheel spindle ... ..	1	
15	W1474	Grease retainer (brake side) ... ..	1	
16	W1654	Grease retainer ... ..	1	
17	W1022	Backing ring ... ..	1	
18	W653	Bearing ... ..	2	
19	W1021	RETAINING RING ... ..	1	
20	W1710	Locking screw ( $\frac{5}{8}$ in. U.H.) ... ..	1	
21	W1278	Distance tube ... ..	1	
22	W1024	Distance piece ... ..	1	
23	W1112	Brake anchor plate ... ..	1	
24	W3426	Nut ... ..	1	
25	W1406	LEADING BRAKE SHOE C/W LINING ... ..	1	
26	W1407	TRAILING BRAKE SHOE C/W LINING ... ..	1	
27	Reference only	Brake lining ... ..	2	} Not supplied separately
28	Reference only	Brass rivet ... ..	16	
29	W1415	Thrust pad ... ..	2	
30	W135	Shoe return spring ... ..	2	
31	W1083	Brake cam ... ..	1	
32	W2015	Brake cam lever ... ..	1	
33	S25-6	Plain washer ... ..	1	
34	S1-52	Nut ... ..	1	
35	W1090	Lever return spring ... ..	1	
36	W1635	Grease retainer ... ..	1	
37	W1476	Speedometer adaptor ... ..	1	
38	W1477	Distance piece ... ..	1	
39	*D637	Speedometer gearbox ... ..	1	
40	W1280	Plain washer ... ..	1	
41	W2089	Chain adjuster ... ..	2	
42	W1015	Adjuster end plate ... ..	2	
43	14-1902	Self-locking nut ... ..	2	
44	F1747	Spindle nut ... ..	2	
45	D106	Tyre security bolt (WM2) ... ..	2	
46	W3425	Nut inner D.S. ... ..	1	
47	W1467	Pivot pin ... ..	1	

\* Use D373 Speedometer gearbox with Kph. Speedo head

**ALTERNATIVE WHEEL AVAILABLE TO SUIT 4in. REAR TYRE:**

1	W2102	REAR WHEEL COMPLETE ... ..	
2	W1486	Rim, hub and spokes assembly ... ..	
3	W1003	Rear wheel rim WM3-18 ... ..	

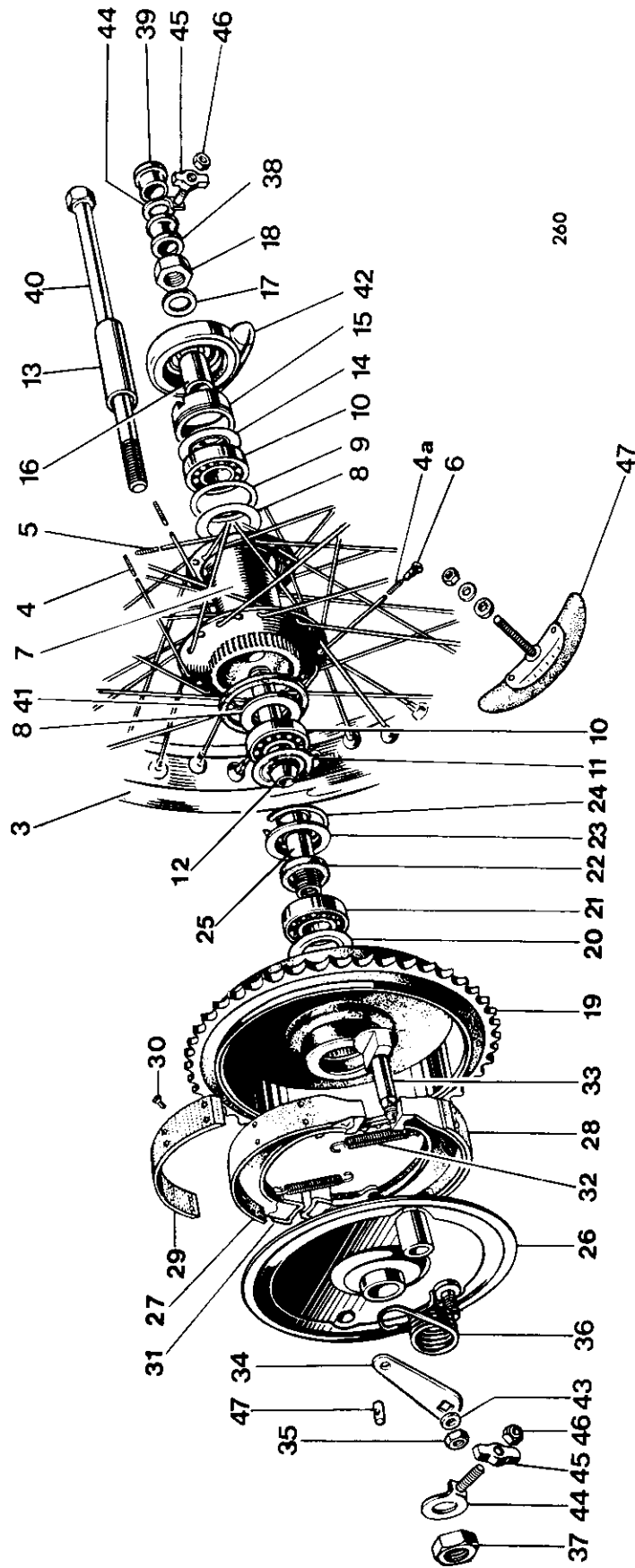


Fig. 20. QUICKLY DETACHABLE REAR WHEEL



**QUICKLY DETACHABLE REAR WHEEL**

1	W2106	Q.D. REAR WHEEL COMPLETE	1	TR6, T120
2	W1747	RIM, SPOKES AND HUB ASSEMBLY	1	TR6, T120
3	W1471	Rear wheel rim WM2-18	1	TR6, T120
4	W1107	Spoke (8/10 x 7 <sup>9</sup> / <sub>16</sub> in. 90°)	10	
4a	W3402	Spoke (8/10G x 7 <sup>9</sup> / <sub>16</sub> in. x 110°)	10	
5	W1108	Spoke (8/10G x 7 <sup>7</sup> / <sub>8</sub> in. 90°)	20	
7	W1593	Hub	1	
8	W1595	Grease retainer	2	
9	W1509	Backing ring	1	
10	S35-7	Bearing	2	
11	W1596	Dust cap	1	
12	W1614	Bearing sleeve	1	
13	W1598	Distance piece (inner)	1	
14	W1635	Grease retainer	1	
15	W1599	Locking ring	1	
16	W1477	Distance piece (outer)	1	
17	W1280	Plain washer	1	
18	W3426	Nut	1	
19	W1040	Sprocket and brake drum 46T	1	
20	W1143	Grease retainer	1	
21	W1041	Bearing	1	
22	W1042	Felt washer	1	
23	W1043	Bearing and felt retainer	1	
24	W1044	Circlip	1	
25	W1045	Bearing sleeve	1	
26	W1121	Brake anchor plate	1	
27	W1406	LEADING BRAKE SHOE C/W LINING	1	
28	W1407	TRAILING BRAKE SHOE C/W LINING	1	
29	NW243	Brake lining	2	
30	W129	Brass rivet	16	
31	W1415	Thrust pad	2	
32	W135	Shoe return spring	2	
33	W1083	Brake cam	1	
34	W2015	Brake cam lever	1	
35	S1-52	Nut	1	
36	W1090	Lever return spring	1	
37	W1052	Nut	1	
38	W1392	Inner distance piece	1	
39	W1170	Outer distance piece	1	
40	W1055	Spindle	1	
41	W1091	Rubber sealing ring	1	
42	D637	Speedometer gearbox	1	
43	S25-6	Washer	1	
44	W2087	Chain adjuster	2	
45	W1015	Adjuster end plate	2	
46	14-1902	Self-locking nut	2	
47	D106	Tyre security bolt, WM2	2	TR6, T120
—	W1467	Pivot pin	1	Not illustrated

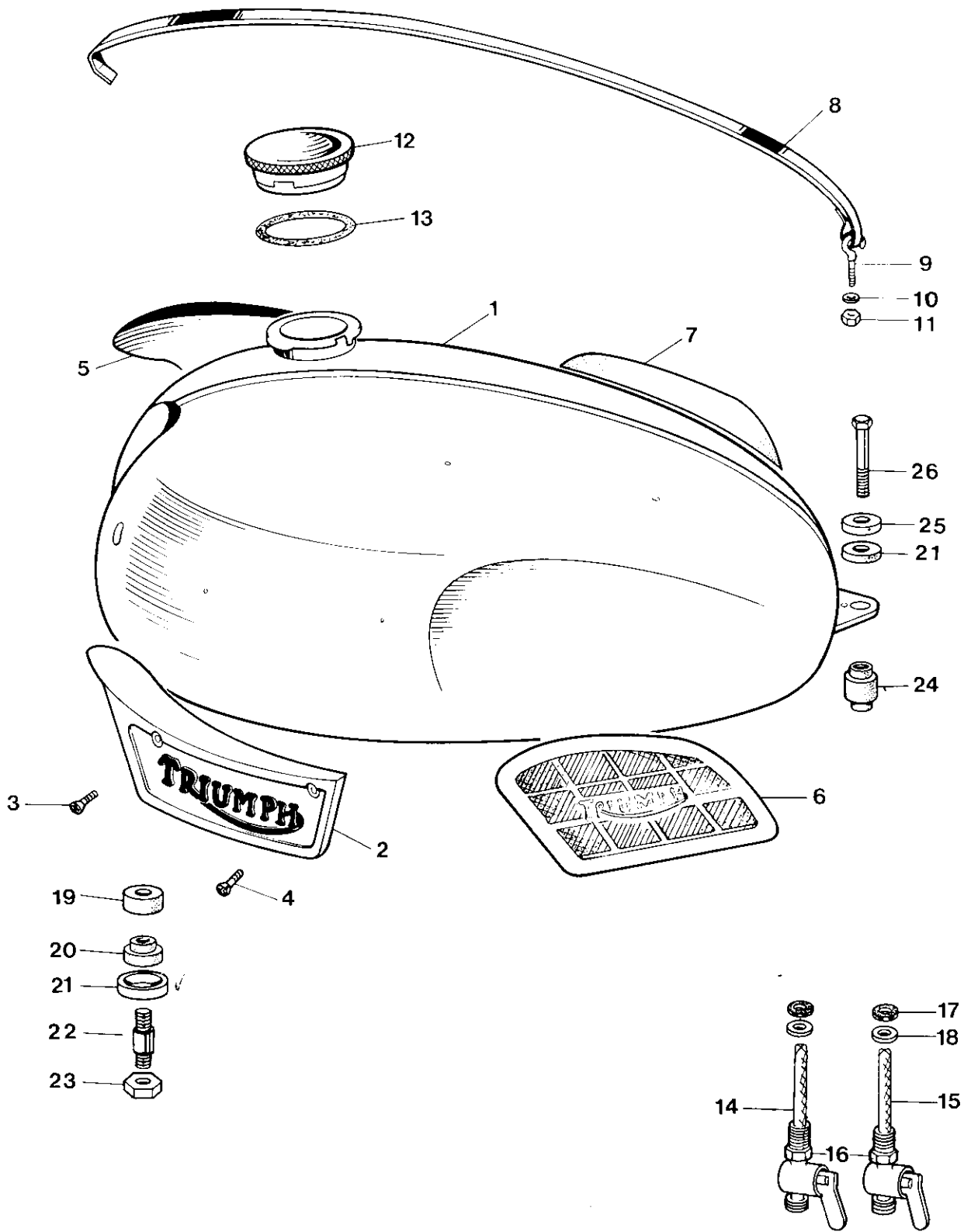


Fig. 21. PETROL (GAS) TANKS

Ref. No.	Part No.	DESCRIPTION	QUANTITY	REMARKS
<b>PETROL TANKS</b>				
1	*F9704	Petrol tank (4 gallons)	1	T120
1	F9703	Petrol tank (4 gallons)	1	TR6
2	F9701	Styling unit (left)	1	
3	F4129	Styling unit screw, front $\frac{35}{64}$ in. O.A.	2	
4	F7888	Styling unit screw, rear $\frac{27}{64}$ in. O.A.	2	
5	F9700	Styling unit (right)	1	
6	F8192	Left knee grip	1	
7	F8193	Right knee grip	1	
8	F10032	Centre styling strip	1	
9	F10008	Hook screw	1	
10	F4019	Serrated washer	1	
11	H919	Nut	1	
12	F3220	FILLER CAP	1	
13	F4048	Joint washer	1	
14	F4971	PETROL TAP (left)	1	
15	F4972	PETROL TAP with reserve tube	1	
16	F10006	Petrol tap locknut	2	
17	E7351	Petrol tap seal	2	
18	F10002	Steel washer	2	
19	F5228	Rubber washer	2	
20	F5229	Spigot rubber	2	
21	F3814	Cup	3	
22	S1833 5/16 3	Shouldered stud	2	
23	14-1302	Nut	2	
24	F5336	Double spigot rubber	1	
25	F967	Rubber washer	1	
26	F7388	Bolt	1	
—	D678	Transfer "TROPHY SPORTS"	1	TR6 Not illustrated
—	1026	Transfer "BONNEVILLE"	1	T120 Not illustrated

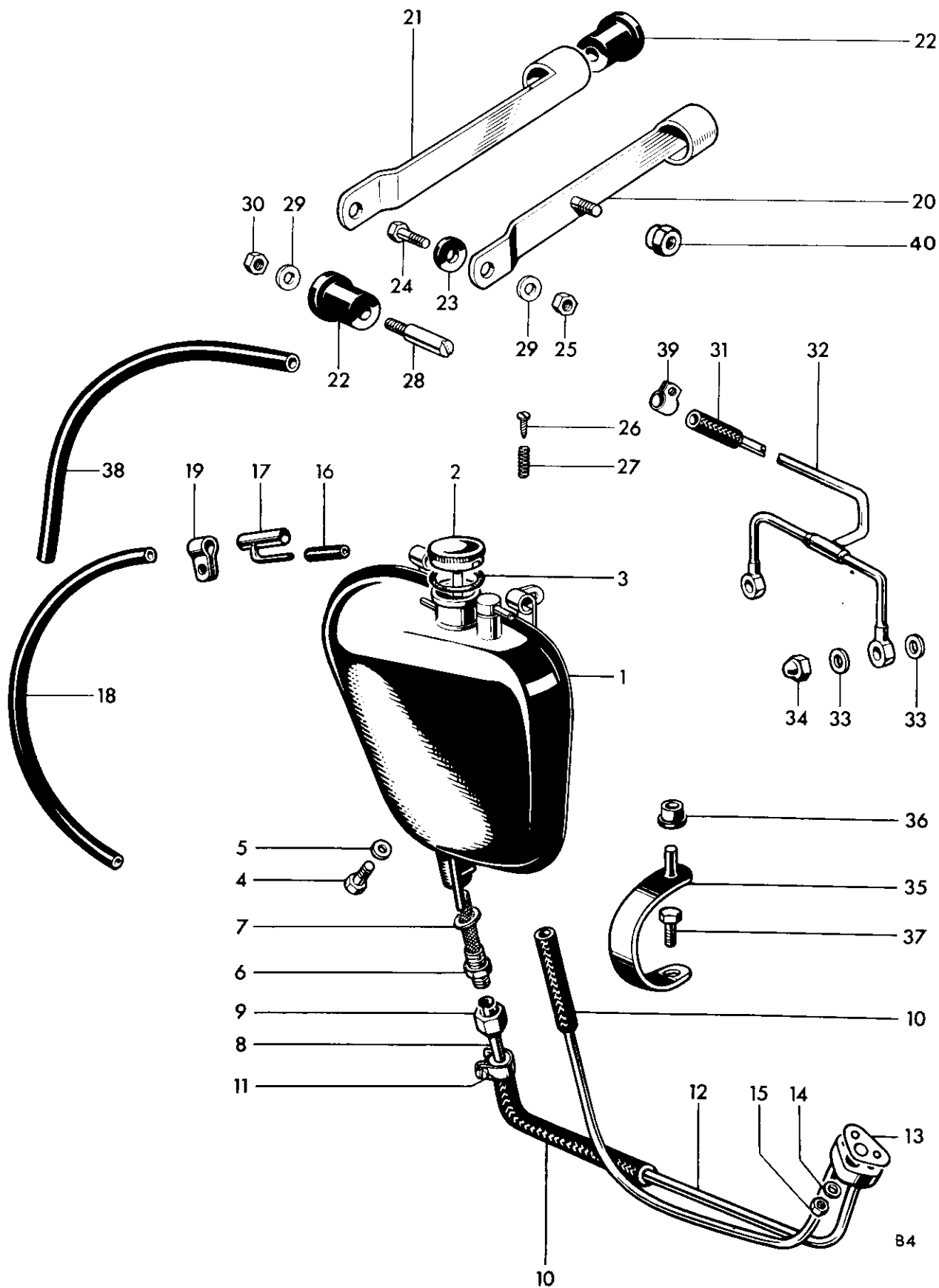


Fig. 23. OIL TANK

B4

Ref. No.	Part No.	DESCRIPTION	QUANTITY	REMARKS
<b>OIL TANK</b>				
1	F7836	Oil tank ... ..	1	
2	F9659	FILLER CAP ... ..	1	
3	F4047	Joint washer ... ..	1	
4	F5343	Drain plug ... ..	1	
5	PT104B	Fibre washer ... ..	1	
6	F3179	Oil tank filter ... ..	1	
7	F1713	Fibre washer ... ..	1	
8	F3655	Upper feed pipe ... ..	1	
9	F3182	Union nut ... ..	1	
10	E4594	Flexible connector ... ..	2	
11	E6848	Clip ... ..	4	
12	E6930	Oil pipes and junction block ... ..	1	
13	E3763	Joint washer ... ..	1	
14	E3446	Plain washer ... ..	1	
15	E1310	Nut ... ..	1	
16	E6356	Vent pipe ... ..	1	
17	E5370	"T" piece ... ..	1	
18	F7353	Extension pipe ... ..	1	
19	F3098	Clip ... ..	2	
20	F9255	Front strap ... ..	1	
21	F8028	Rear strap ... ..	1	
22	F6673	Spigot rubber ... ..	4	
23	F6968	Rubber washer ... ..	2	
24	14-0301	Bolt ( $\frac{3}{4}$ in. U.H.) ... ..	2	
25	14-0701:001	Self locking nut ... ..	2	
26	F6511	Metering screw ... ..	1	
27	F6874	Coil spring ... ..	1	
28	F7510	Screwed peg ... ..	2	
29	S25-13	Plain washer ... ..	4	
30	F879	Nut ... ..	2	
31	E6353	Rubber connector ... ..	1	
32	E6349	Rocker oil feed pipe ... ..	1	
33	E1335	Copper washer ... ..	4	
34	E1435	Domed nut ... ..	2	
35	F6147	Bracket ... ..	1	
36	F6039	Grommet ... ..	1	
37	S1822	Bolt ( $\frac{1}{2}$ in. U.H.) ... ..	1	
38	F7352	Flexible pipe ... ..	1	
39	E6849	Clip ... ..	1	
40	F8034	Sleeve nut ... ..	1	
—	D1918	Grouped transfer—"Drain and refill" etc. ... ..	1	Not illustrated

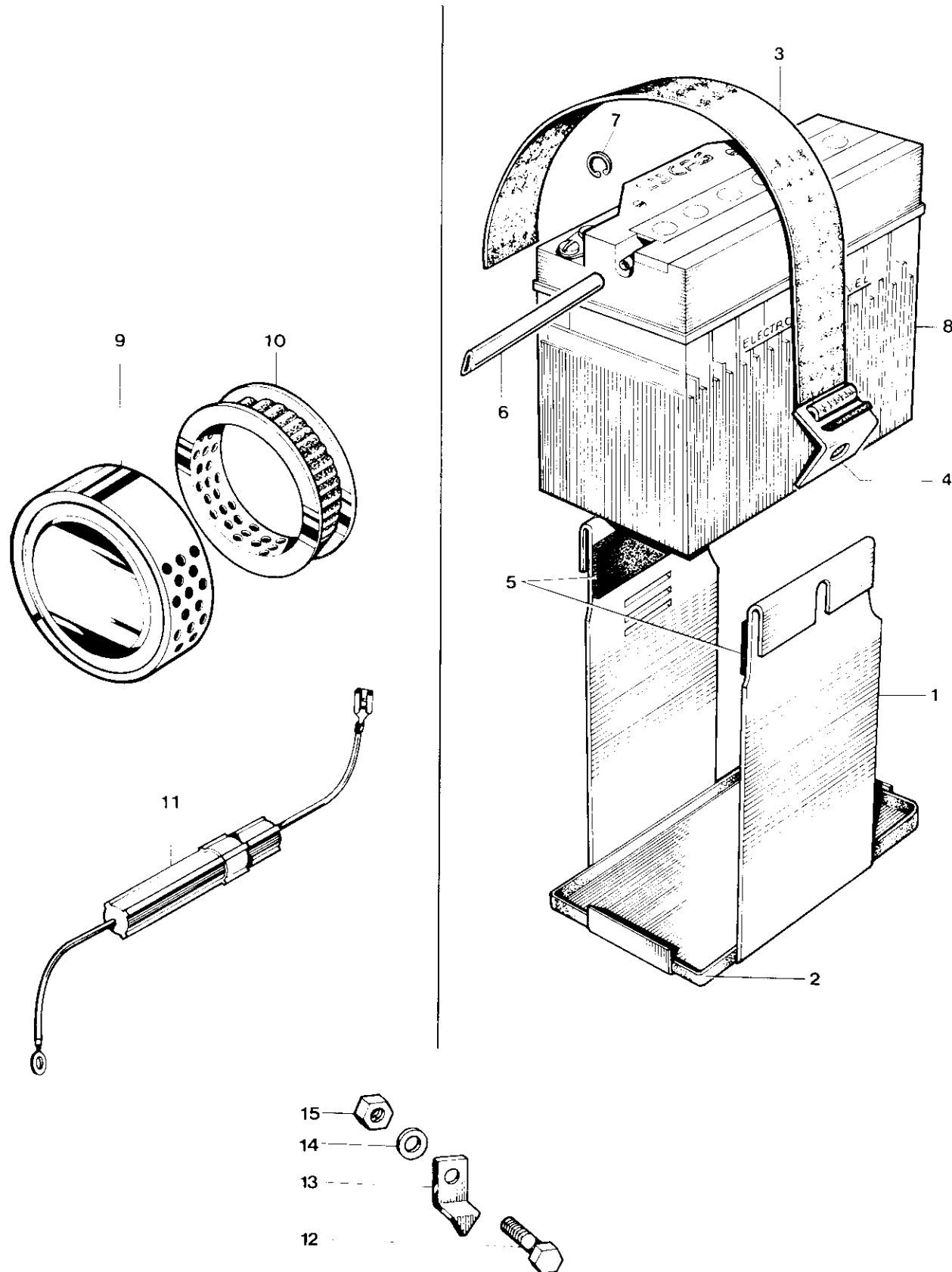


Fig. 23. BATTERY CARRIER AND AIR FILTERS

**BATTERY CARRIER AND AIR FILTER**

1	F8024	Battery carrier ... ..	1	
2	F8091	Battery carrier, rubber tray ... ..	1	
3	F8033	Battery carrier strap ... ..	1	
4	F8032	Battery strap anchorage ... ..	1	
5	F8031	Battery carrier rubber... ..	1	
—	A52	TRANSFER "POSITIVE EARTH" ... ..	1	Not illustrated
6	F7431	Vent pipe ... ..	1	
7	F7892	Circlip, vent pipe ... ..	1	
8	99-0719	Battery (PUZ5A) ... ..	1	
9	F8018	AIR CLEANER COMPLETE ... ..	1	} TR6
10	F5764	Filter element (cloth or gauze) ... ..	1	
9	F8196	AIR CLEANER COMPLETE ... ..	1	} T120
10	F5764	Filter element (coarse felt) ... ..	1	
11	54938986	Fuse assembly ... ..	1	
12	F1369	Bolt ( $\frac{5}{8}$ in. U.H.) ... ..	1	
13	F6883	Inflator bracket ... ..	1	
14	S25-1	Plain washer ... ..	1	
15	14-0301	Nut ... ..	1	

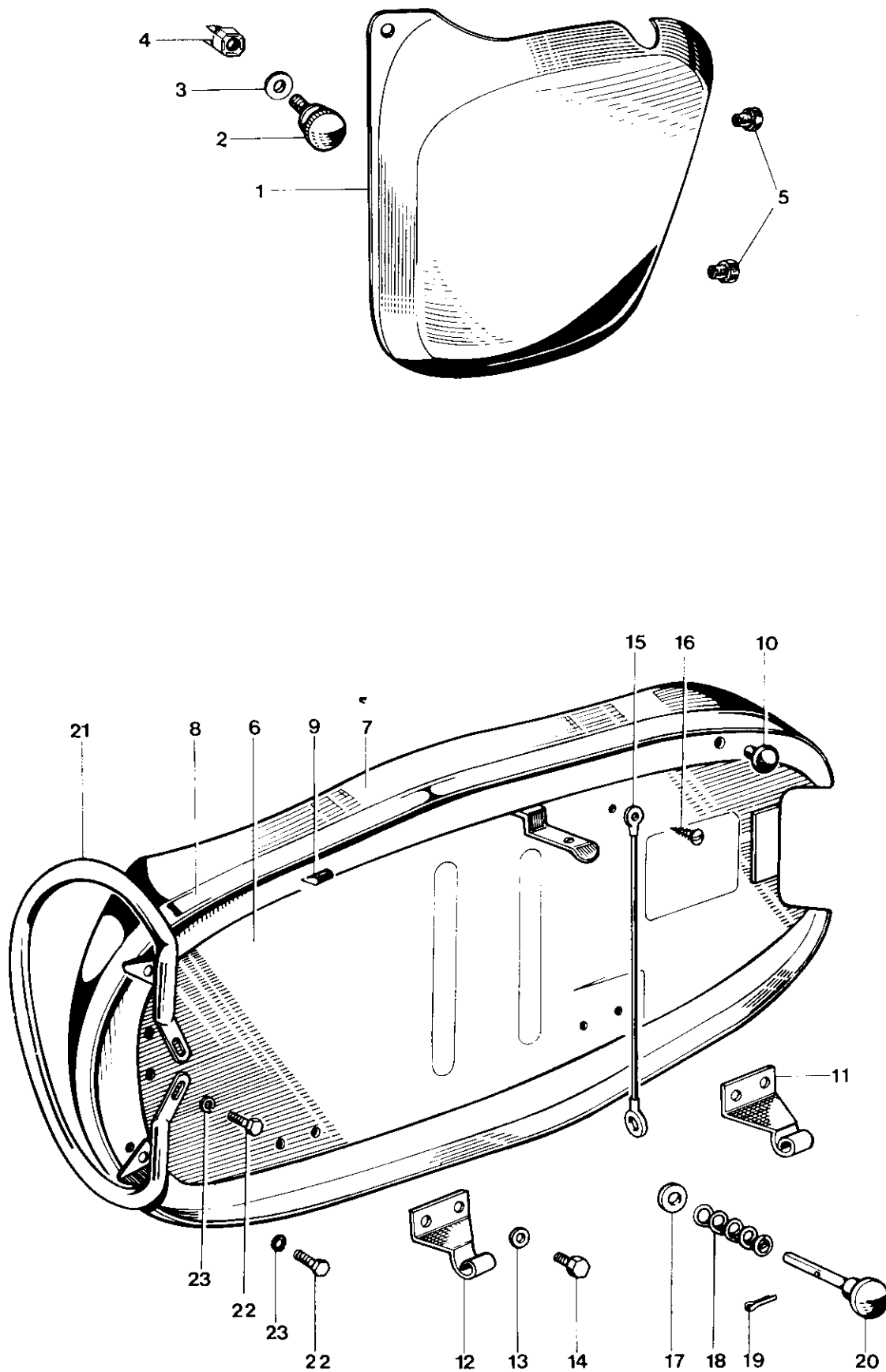


Fig. 24. PANEL AND TWINSEAT



**PANEL AND TWINSEAT**

1	F8042	Side panel and toolbox	1	
—	D678	Transfer "Trophy Sports"	1	Not illustrated
—	D2103	Transfer "Bonneville"	1	Not illustrated
2	F11357	Panel knob	1	
3	F11377	Washer	1	
4	F10022	Panel nut	1	
5	F6673	Panel grommet	2	
6	F9714	TWINSEAT	1	
7	F9715	Twinseat cover	1	
8	D696	Trim strip	1	
9	D697	Trim strip sprag	4	
10	F7835	Rubber buffer	1	
11	F8026	Hinge front	1	
12	F7862	Hinge rear	1	
13	S26-2	Spring washer	4	
14	14-0101	Bolt (½ in. U.H.)	4	
15	D374	Check wire	1	
16	F4483	Self-tapping screw	1	
17	E1719A	Washer	1	
18	F4228	Spring	1	
19	¾ in. x ½ in.	Split pin	1	
20	F7560	Seat catch plunger	1	
21	F9498	Seat rail	Available	
22	14-0102	Bolt (⅜ in. U.H.)	Available	
23	S26-2	Spring washer	Available	

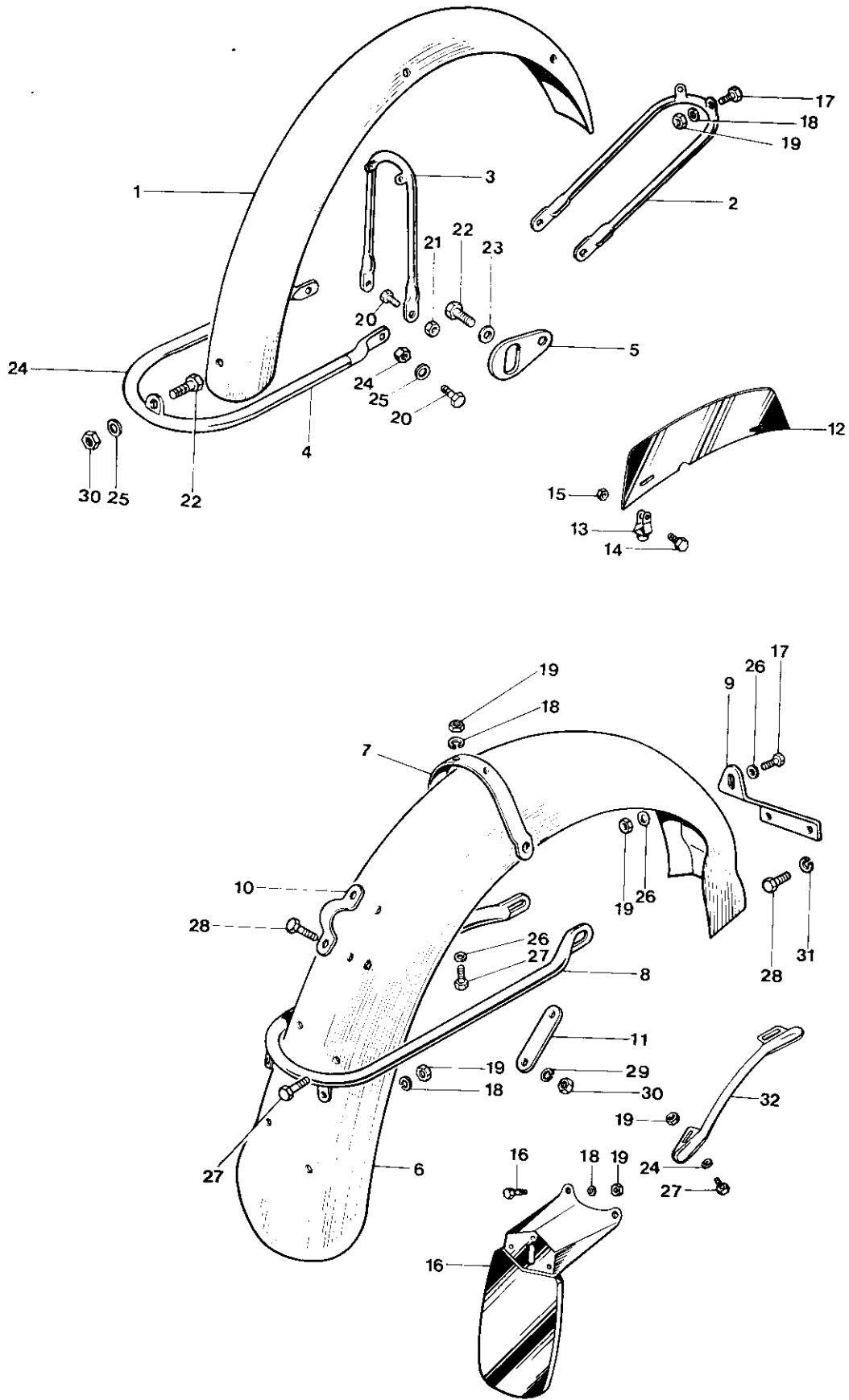


Fig. 25. MUDGUARDS

**MUDGUARDS**

1	H1677	Front mudguard	1	
2	H1681	Front stay	1	
3	H1683	Centre stay	1	
4	H3683	Bottom stay	1	
5	H1685	Bracket	2	
6	F8126	Rear mudguard	1	
7	F6915	Mudguard bridge	1	
8	F7860	Lifting handle	1	
9	F6851	Bracket	1	
10	F5994	Clip	1	
11	F6031	Backing plate	1	
12	F10216	Front number plate	1	
13	H741	Clip assembly	2	
14	H687	Screw	2	
15	H745	Nut	2	
16	F8121	Rear number plate	1	
17	14-0101	Bolt ( $\frac{7}{16}$ in. U.H.)	5	
18	S25-1	Plain washer	12	
19	14-1201	Nut	14	
20	14-0115	Bolt ( $\frac{5}{16}$ in. U.H.)	2	
21	14-0402	Nut	2	
22	S1822	Bolt ( $\frac{1}{2}$ in. U.H.)	3	
23	F4299	Plain washer	2	
24	14-0702	Self lock nut	2	
25	S25-3	Washer	2	
26	F6310	Plain washer	3	
27	14-0102	Bolt ( $\frac{5}{8}$ in. U.H.)	8	
28	14-0113	Bolt ( $\frac{9}{16}$ in. U.H.)	4	
29	E2287	Spring washer	2	
30	14-0302	Nut	3	
31	S26-3	Spring washer	2	
32	F7826	Wiring protector	1	

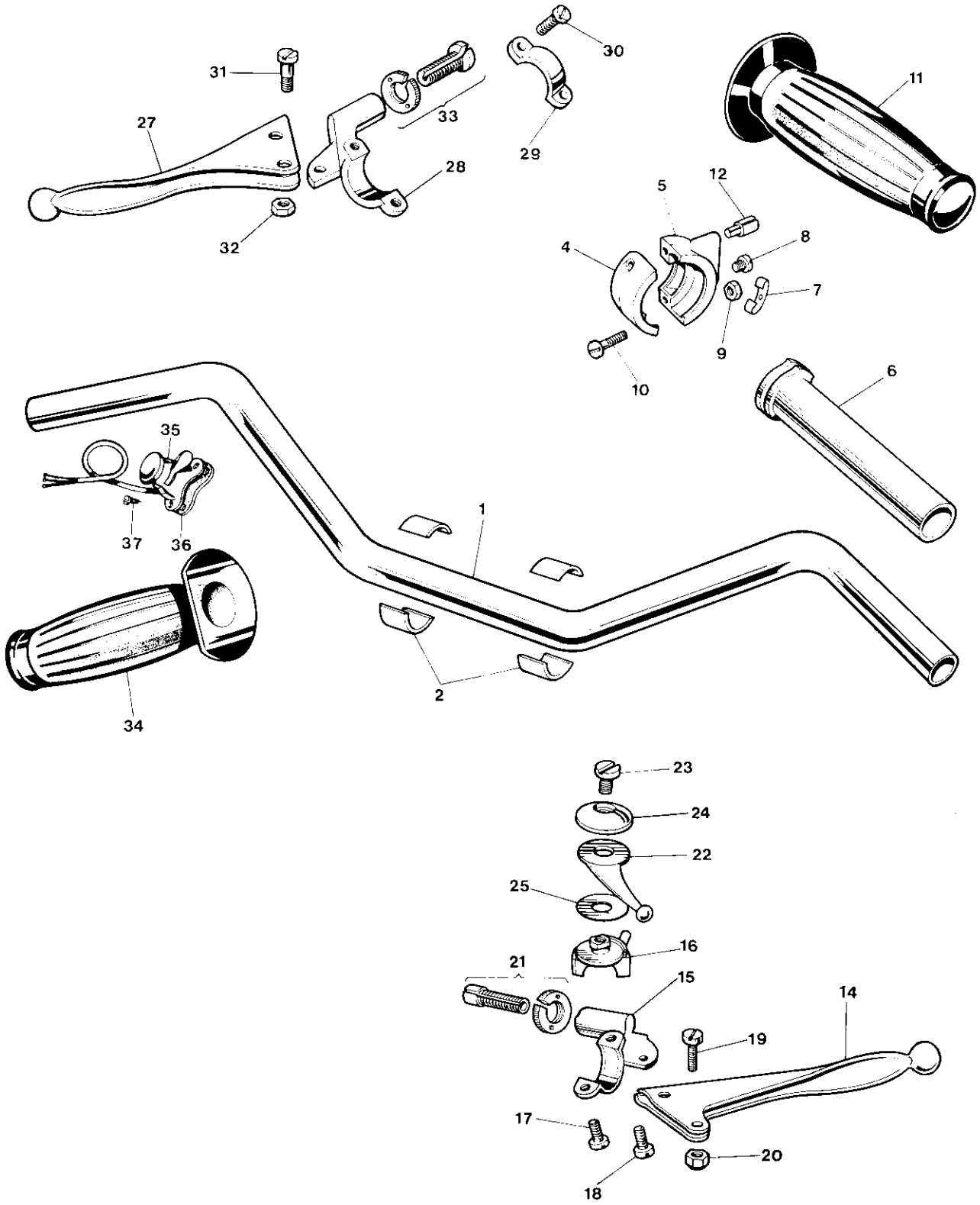


Fig. 26. HANDLEBARS AND CONTROL LEVERS

**HANDLEBARS AND CONTROL LEVERS**

1	H1871	Handlebar ... ..	1	
1	H1870	Western handlebar ... ..	Available	
2	H1425	Packing piece ... ..	4	
3	99-0248	TWISTGRIP (16/364) ... ..	1	
4	99-0245	Body top half (16/328) ... ..	1	
5	99-0246	Body bottom half (16/329) ... ..	1	
6	99-0244	Rotor (16/091) ... ..	1	
7	99-0238	Friction spring (16/008) ... ..	1	
8	99-0239	Friction spring screw (16/009) ... ..	1	
9	99-0240	Locknut (16/010) ... ..	1	
10	99-0225	Screw (11/013) ... ..	2	
11	H2125	Grip ... ..	1	
12	99-0241	Cable stop (16/011) ... ..	1	
13	D2073	<b>FRONT BRAKE AND AIR LEVER ASSEMBLY (18/978)</b> ... ..	1	
14	99-0262	Brake lever (ball end) (18/754) ... ..	1	
15	99-0266	Lever bracket (18/776) ... ..	1	
16	99-0234	Control body (12/619) ... ..	1	
17	99-0226	Screw (11/014) ... ..	1	
18	99-0225	Screw (11/013) ... ..	1	
19	99-0252	Fulcrum screw (18/087) ... ..	1	
20	99-0250	Self locking nut (18/053) ... ..	1	
21	99-1031	Cable adjuster and nut (18/1708/1709) ... ..	1	
22	99-0228	Lever (12/556) ... ..	1	
23	12/607	Bolt ... ..	1	
24	12/606	Cap ... ..	1	
25	12/033	Spring washer ... ..	1	
26	D2074	<b>CLUTCH LEVER ASSEMBLY (18/952)</b> ... ..	1	
27	99-0261	Clutch lever (ball end) (18/752) ... ..	1	
28	99-0265	Clutch lever bracket (18/773) ... ..	1	
29	99-0230	Clamp (12/595) ... ..	1	
30	99-0226	Screw (11/014) ... ..	2	
31	99-0252	Fulcrum screw (18/087) ... ..	1	
32	99-0250	Self locking nut (18/053) ... ..	1	
33	99-1031	Cable adjuster and nut (18/1708/1709) ... ..	1	
34	H2124	Handlebar grip ... ..	1	
35	99-0555	Horn push and dip switch (31563) ... ..	1	
36	99-0630	Backing rubber (380459) ... ..	1	
37	H1994	Self-tapping screw (1/2 in. U.H.) ... ..	2	

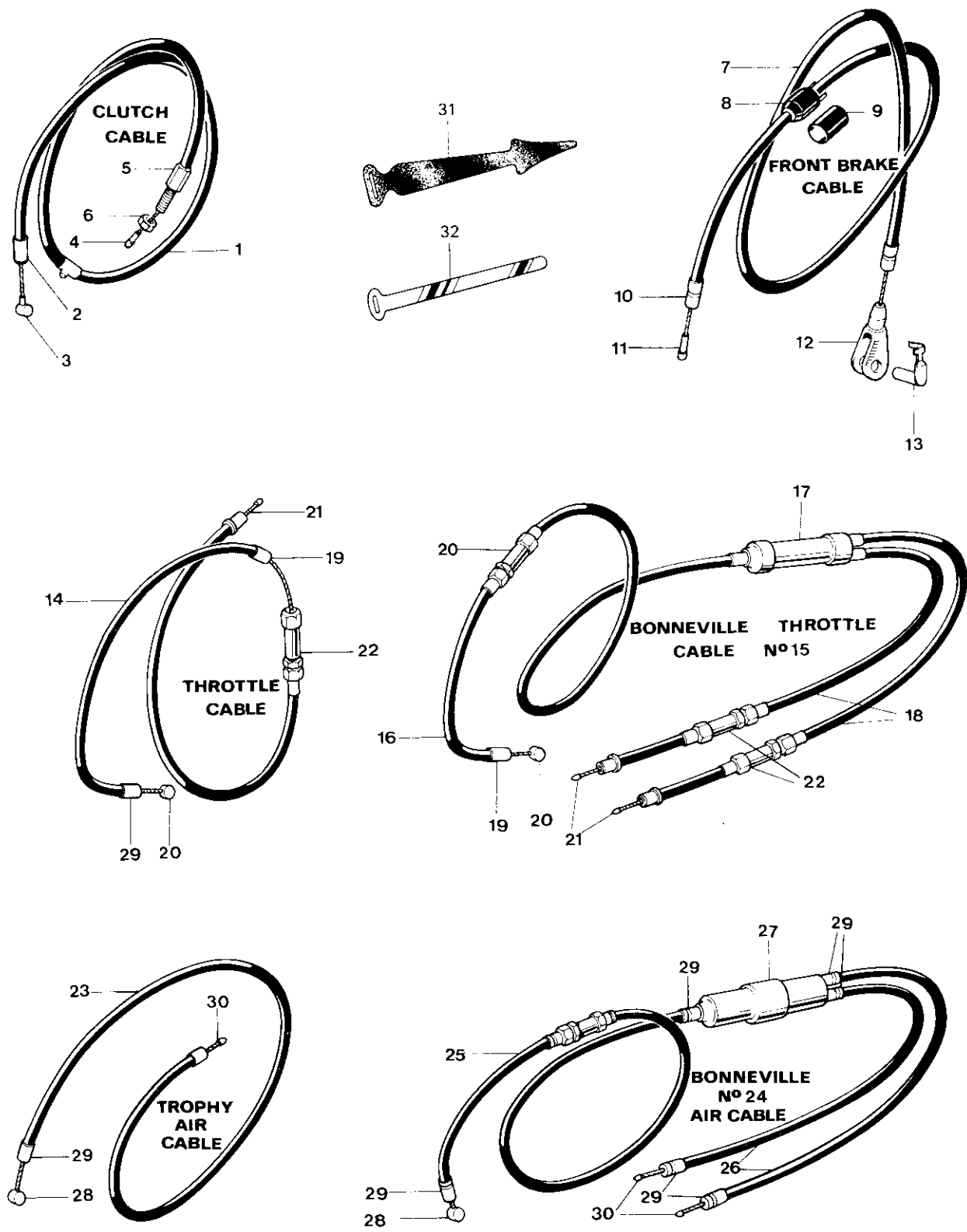


Fig. 27. CONTROL CABLES AND AMERICAN HANDLEBARS

**CONTROL CABLES**

1	D1993	CLUTCH CABLE	1	
2	D103	Ferrule	2	
3	D506	Nipple (Handlebar end)	1	
4	DS73	Nipple	1	
5	D668	Adjuster	1	
6	S672	Nut	1	
7	D2077	FRONT BRAKE CABLE	1	
7	D2076	FRONT BRAKE CABLE (FOR WESTERN BARS)	1	
8	D2085	Front stop switch	1	
9	D2086	Cover for switch	1	
10	D103	Ferrule	2	
11	D506	Nipple (Handlebar end)	1	
12	D638	Fork end	1	
13	W2006	Pivot pin (spring-fix)	1	
14	D746	THROTTLE CABLE	1	TR6
15	D732	THROTTLE CABLE	1	} T120
16	D683	Twistgrip cable	1	
17	99-0341	Junction block (244/104)	1	} T120
18	D733	Carburetter cable	2	
19	D101	Ferrule	3	
20	D83	Nipple	5	
21	NS191	Nipple at carburetter	1	
22	D104	Adjuster	3	
23	D747	Air control cable	1	TR6
24	D682	AIR CABLE ASSEMBLY	1	T120
25	D683	Lever cable	1	
26	D684	Carburetter cable	2	
27	D685	Junction box	1	
28	D83	Nipple (Handlebar end)	1	
29	D101	Ferrule	6	
30	NS191	Nipple	3	
31	D343/7	Clip, rubber		as required
32	XA69	Clip, metal		as required

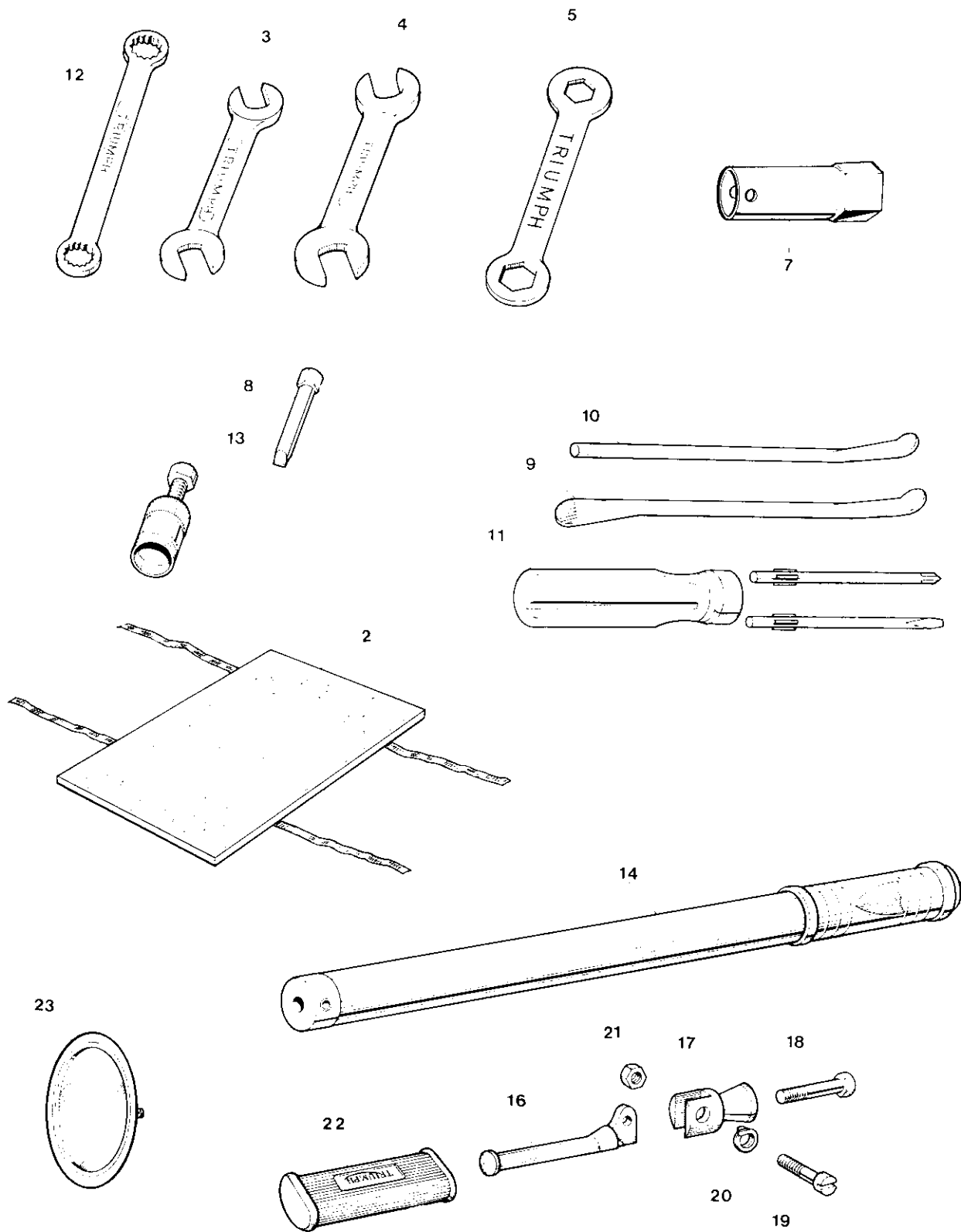


Fig. 29. TOOLKIT, PILLION FOOTRESTS AND LICENCE HOLDER



**TOOLKIT, PILLION FOOTRESTS AND LICENCE HOLDER**

1	D2109	TOOLKIT COMPLETE	1	
2	D291	Tool roll	1	
3	D2084	Open spanner, $\frac{1}{4} \times \frac{5}{16}$ in. Whit.	1	
4	DA16	Open spanner, $\frac{3}{8} \times \frac{7}{16}$ in. Whit.	1	
5	DA311	Ring spanner, $\frac{5}{8} \times \frac{11}{16}$ in. Whit.	1	
6	D362	"C" spanner and tappet key	1	
7	D87	Plug spanner	1	
8	D2108	Screwdriver for chain tensioner	1	
9	NA14A	Tyre lever	1	
10	D801	Tyre lever and tommy bar	1	
11	D767	Screwdriver	1	
12	D370	Ring spanner	1	
13	D662/3	Clutch hub extractor	1	
14	D296	Tyre inflator	1	
15	F9369	PILLION FOOTREST	2	
16	F1694	Pedal	2	
17	F9370	Hanger	2	
18	S1910	Bolt ( $\frac{13}{16}$ in. U.H.)	2	
19	F9371	Pivot bolt	2	
20	F2277	Thackeray (spring) washer	2	
21	14-0302	Nut	2	
22	F1695	Pedal rubber	2	
23	D261	Licence holder c/w nut and washer	1	

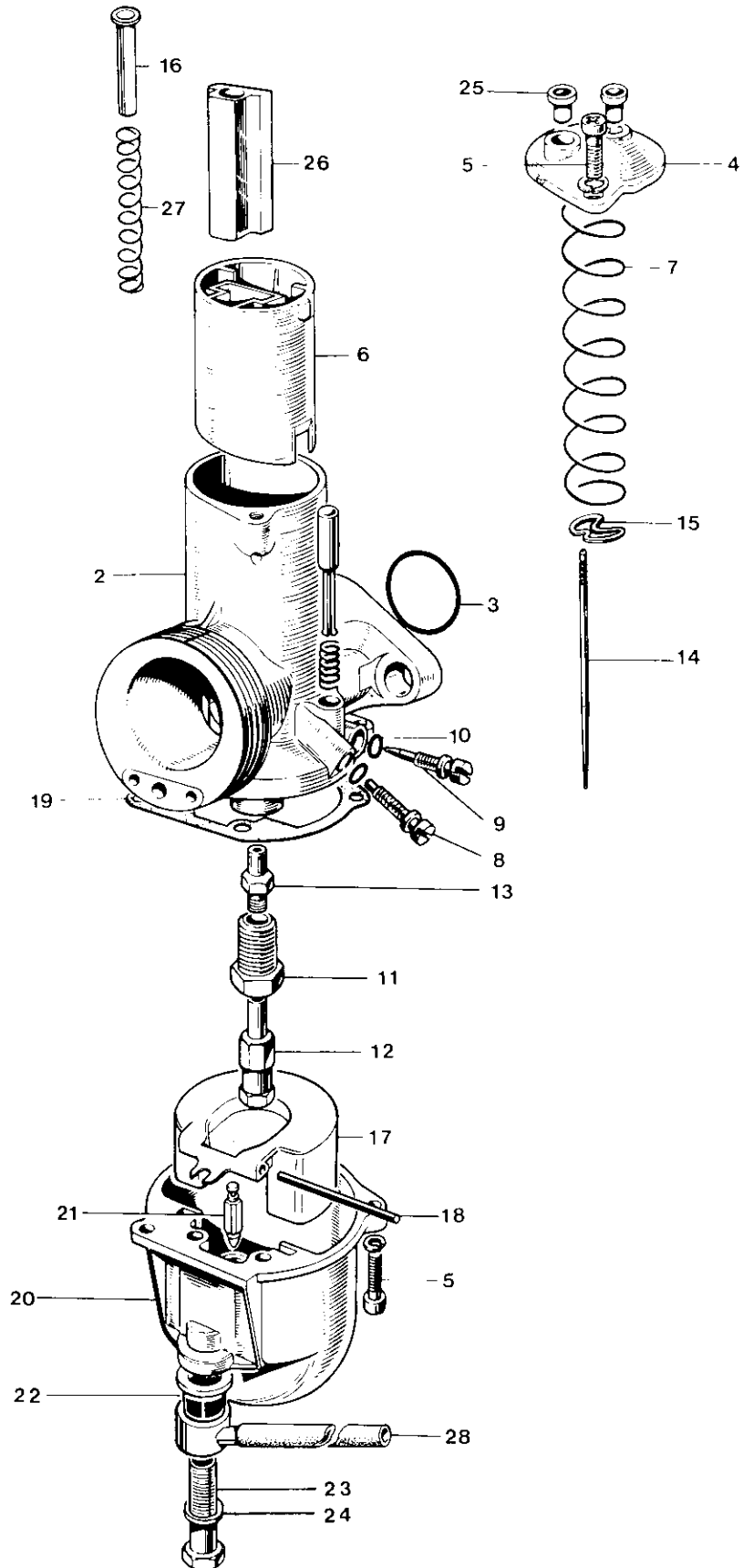


Fig. 29. AMAL CARBURETTER, TR6

**AMAL CARBURETTER TR6**

1	D770	CARBURETTER (R930/23) ... ..	1	
2	Reference only	Mixing chamber ... ..	1	
3	99-0552	"O" ring seal (622/101) ... ..	1	
4	99-1032	Mixing chamber top (928/098) ... ..	1	
5	99-0521	Screw (622/086) ... ..	4	
6	99-0527	Throttle valve (3½ cutaway) (928/060) ... ..	1	
7	99-1033	Throttle return spring (622/131) ... ..	1	
8	99-0516	Throttle stop screw (622/077) ... ..	1	
9	99-0515	Air adjusting screw (622/076) ... ..	1	
10	99-0520	"O" ring (622/082) ... ..	2	
11	99-1034	Jet holder (622/128) ... ..	1	
12	99-0441	Main jet (230) (376/100) ... ..	1	
13	99-1035	Needle jet (0.106) (622/122) ... ..	1	
14	99-1036	Needle (622/124) ... ..	1	
15	99-0510	Needle clip (622/067) ... ..	1	
16	99-1037	Air valve guide sleeve (928/103) ... ..	1	
17	99-0512	Float (622/069) ... ..	1	
18	99-0513	Float spindle (622/071) ... ..	1	
19	99-0514	Joint washer (622/073) ... ..	1	
20	99-0506	Float chamber (622/050) ... ..	1	
21	99-0511	Float Needle (622/068) ... ..	1	
22	99-0438	Filter (376/093) ... ..	1	
23	99-0517	Banjo bolt (622/078) ... ..	1	
24	99-0437	Fibre washer (376/092) ... ..	1	
25	6/132A	Ferrule ... ..	2	
26	99-0528	Air slide (928/062) ... ..	1	
27	99-1038	Air slide spring (622/129) ... ..	1	
28	F9271	Petrol pipe ... ..	1	

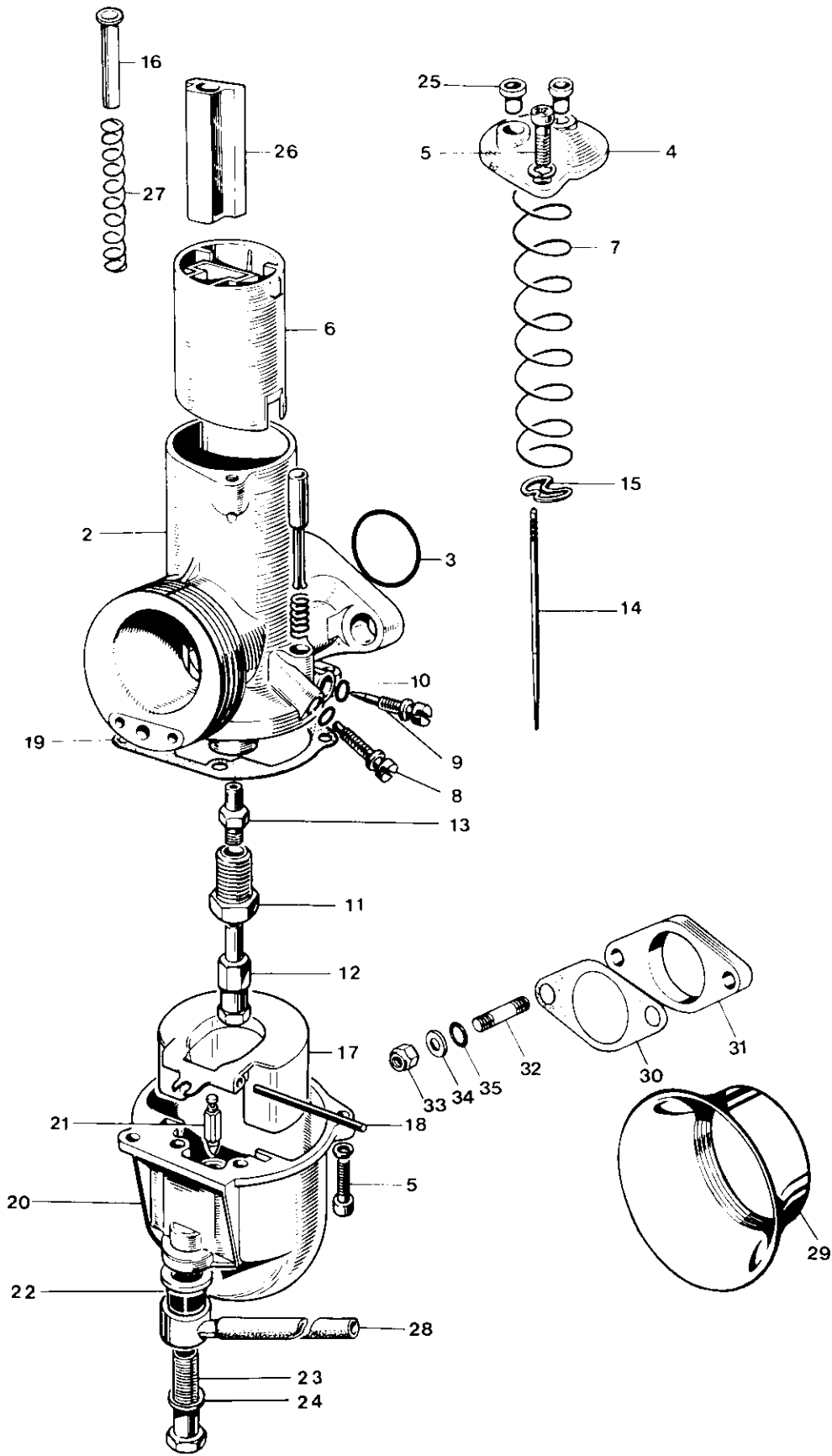


Fig. 30. AMAL CARBURETTER, T120

**AMAL CARBURETTER T120**

1	D771	CARBURETTER L.H. L930/10	1	
1	D772	CARBURETTER R.H. R930/9	1	
2	Reference only	Mixing chamber	2	
3	99-0552	"O" ring seal (622/101)	2	
4	99-1032	Mixing chamber top (928/098)	2	
5	99-521	Screw (622/086)	8	
6	99-0527	Throttle valve (3 cutaway) (928/060)	1	
7	99-1033	Throttle return spring (622/131)	2	
8	99-0516	Throttle stop screw (622/077)	2	
9	99-0515	Air adjusting screw (622/076)	2	
10	99-0520	"O" ring (622/082)	4	
11	99-1034	Jet holder (622/128)	2	
12	99-0441	Main jet (190) (376/100)	2	
13	99-1035	Needle jet (0-106) (622/122)	2	
14	99-1036	Needle (622/124)	2	
15	99-0510	Needle clip (622/067)	2	
16	99-1037	Air valve guide sleeve (928/103)	2	
17	99-0512	Float (622/069)	2	
18	99-0513	Float spindle (622/071)	2	
19	99-0514	Joint washer (622/073)	2	
20	99-0506	Float chamber (622/050)	2	
21	99-0511	Needle (622/068)	2	
22	99-0438	Filter (376/093)	2	
23	99-0517	Banjo bolt (622/078)	2	
24	99-0437	Fibre washer (376/092)	2	
25	6/132A	Ferrule	1	
26	99-0528	Air slide (928/062)	1	
27	99-1038	Air slide spring (622/129)	1	
28	F8133	Petrol pipe	1	
29	99-0530	Air intake tube (928/066)	2	
30	NA43A	Joint washer	1	
31	E2968	Insulating block	1	
32	Reference only	Stud	4	
33	S1932	Self-lock nut	4	
34	E9555	Cup	4	
35	E9554	Insulating ring	4	

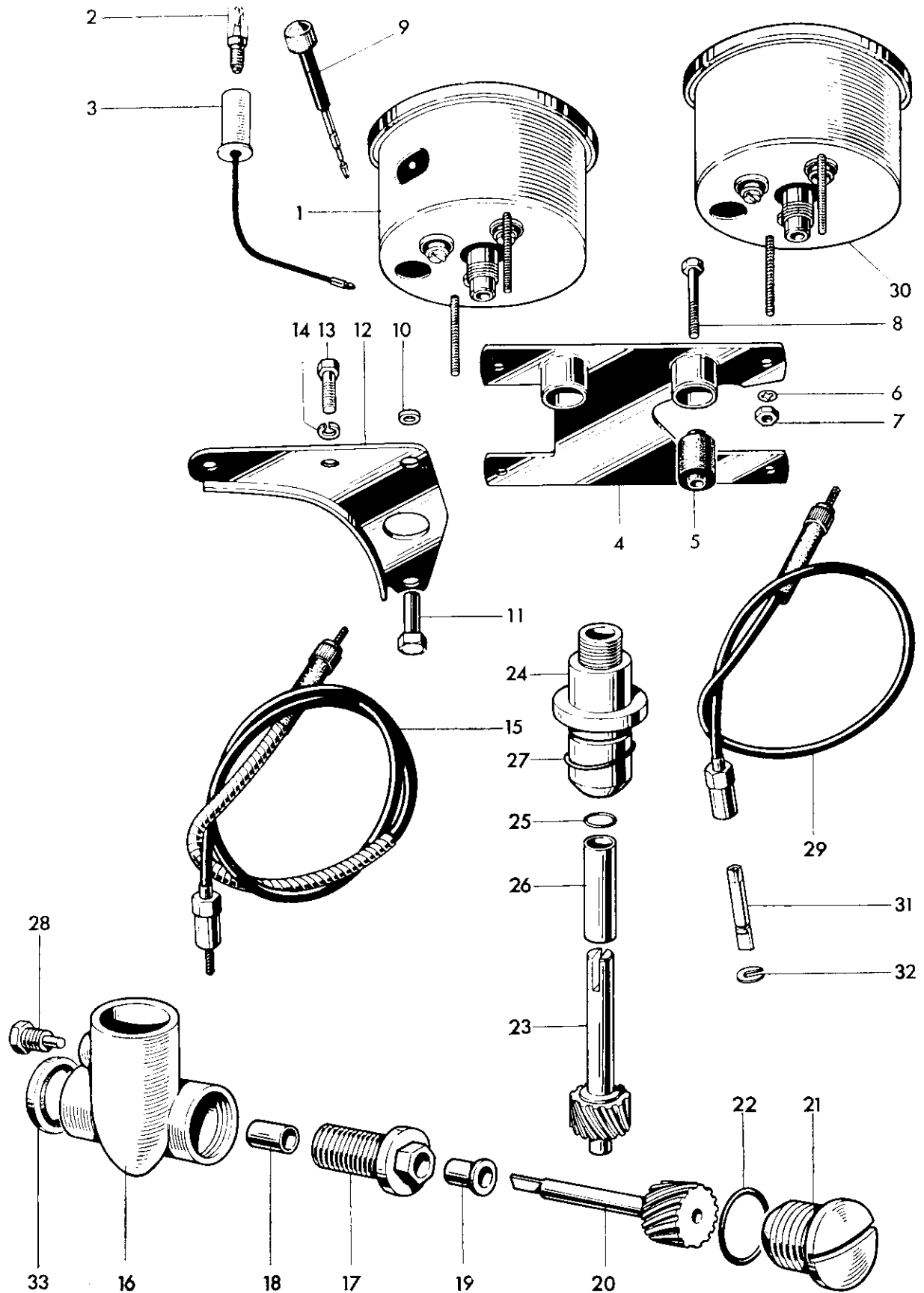


Fig. 31. SPEEDOMETER AND TACHOMETER

**SPEEDOMETER AND TACHOMETER**

1	99-0161	Speedometer head MPH (SSM5001/06)	1	
1	99-0160	Speedometer head KPH (SSM5001/01)	1	Alternative
2	643	Bulb, 3.W. M.E.S.	1	
3	99-0695	Bulb holder (554710)	1	
4	H1946	MOUNTING BRACKET	1	
5	H1929	Metalastik bush	2	
6	30-282-014-11	Washer	2	Alternative
7	30-276-037-11	Nut	2	
8	S590	Bolt (1 $\frac{3}{16}$ in. U.H.)	2	
9	41-148-203-10	Trip control	1	
10	H1702	Distance piece	2	TR6, T120
11	H1701	Sleeve nut	2	
12	H1668	Bracket	1	
13	14-0101	Bolt ( $\frac{1}{2}$ in. U.H.)	2	
14	S26-2	Spring washer	2	
15	D609	Speedometer cable (65 ins. long)	1	Smiths DF9110/00
16	E9331	TACHOMETER GEARBOX (Body E5758)	1	Alternative
17	E9332	Securing screw	1	
18	Reference only	Bush	1	
19	E5155	Flanged bush	1	
20	E5157	Driving gear	1	
21	E5759	End cap	1	
22	E6300	"O" ring	1	
23	E5578	Driven gear	1	
24	E6122	Driven gear housing	1	
25	E6299	"O" ring	1	
26	Reference only	Bush	1	
27	E3309	"O" ring	1	
28	E5881	Set screw	1	
29	D578	Tachometer cable (28 in. long)	1	
30	99-0166	Tachometer (RSM3003/01)	1	
31	31-371-398	Spade	1	
32	D494	Circlip	1	
33	E6961	Sealing washer	1	

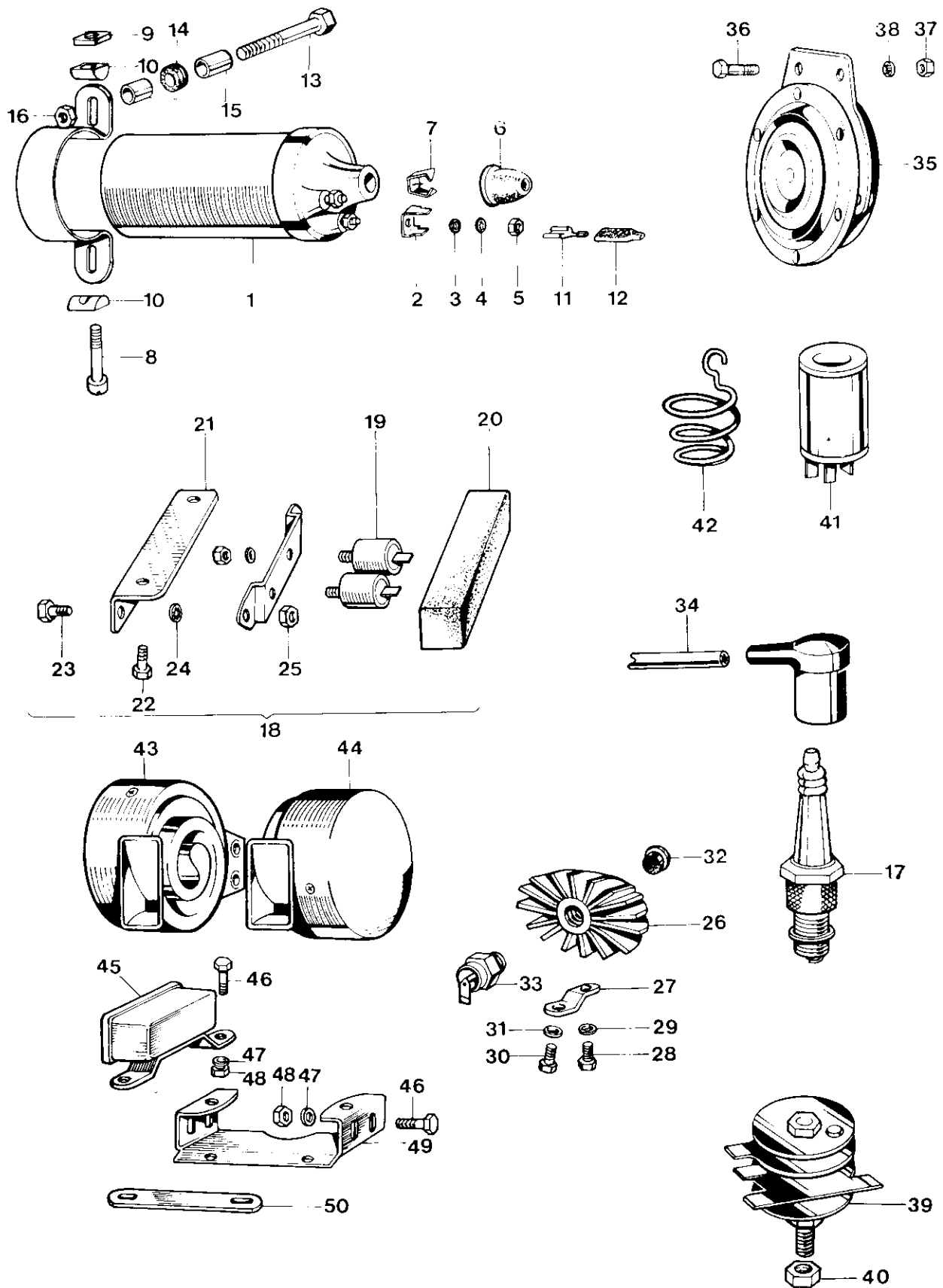


Fig. 32. IGNITION COILS, HORN, RECTIFIER AND ZENER DIODE



**IGNITION COILS, HORN, RECTIFIER AND ZENER DIODE**

1	99-0574	IGNITION COIL, Type MA12 (45110)	2	
2	54190108	Lucar terminal	4	
3	E2351	Plain washer (131023)	4	
4	GS299	Serrated washer (188330)	4	
5	F3799	Nut (166043)	4	
6	99-0643	Rubber grommet (421554)	2	
7	99-0644	Cable clip (421863)	2	
8	100104	Screw	2	
9	169160	Square nut	2	
10	99-0645	"D" washer (422369)	4	
11	99-0799	Lucar connector (54942078)		as required
12	99-0738	Insulating cover (54190042)		as required
13	F4744	Bolt (1- $\frac{5}{16}$ in. U.H.)	2	
14	F5466	Rubber grommet	2	
15	F4366	Distance piece	4	
16	E3290	Self locking nut	2	
17	—	Sparking plug (Champion N4)	2	
18	99-0588	CAPACITOR PACK TYPE 2 CP. (47638)	1	
19	99-1043	Capacitor (54420128)	2	
20	99-0767	Rubber cover (54418528)	1	
21	F8082	Capacitor pack bracket	1	
22	F4771	Bolt, bracket to frame	2	
23	S683	Screw	2	
24	GS299	Shakeproof washer	4	
25	F3799	Nut	4	
26	H2237	Heat sink	1	
27	H2236	Bracket	1	
28	14-6102	Bolt ( $\frac{5}{8}$ in. U.H.)	1	
29	S26-2	Washer	1	
30	14-0113	Bolt ( $\frac{5}{8}$ in. U.H.)	1	
31	S26-3	Washer	1	
32	H2275	Plug-heat sink	1	
33	99-0590	Zener diode (49345)	1	
34	54937976	H.T. lead complete (resistive)	2	
35	99-0612	Horn, type 6H (70197)	1	RT6
36	F4771	Screw ( $\frac{3}{8}$ in. U.H.)	2	
37	F3799	Nut	3	
38	GS299	Serrated washer	3	
39	99-0589	Rectifier, type 2DS 506 (49072)	1	
40	F5338	Nut (156596)	1	
—	54411664	Coil mounting clip	2	
41	99-0737	Capacitor (54170009)		Available
42	99-0778	Capacitor mounting spring (54483156)		Available
43	D1900	Horn R.H.	1	} T120
44	D1901	Horn L.H.	1	
45	99-1027	Horn relay (33188)	1	
46	14-0103	Bolt	6	
47	S26-2	Washer	6	
48	14-0301	Nut	6	
49	F11254	Bracket	1	
50	F7582	Relay stay	1	

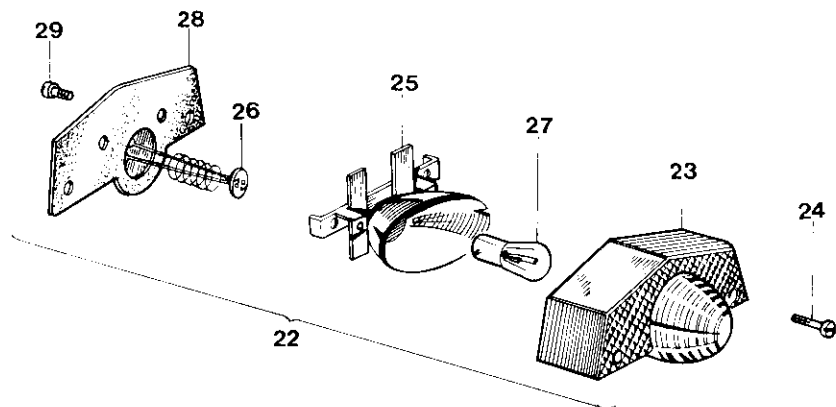
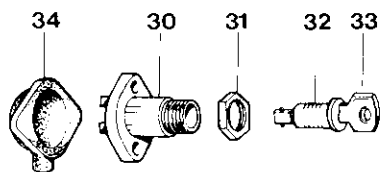
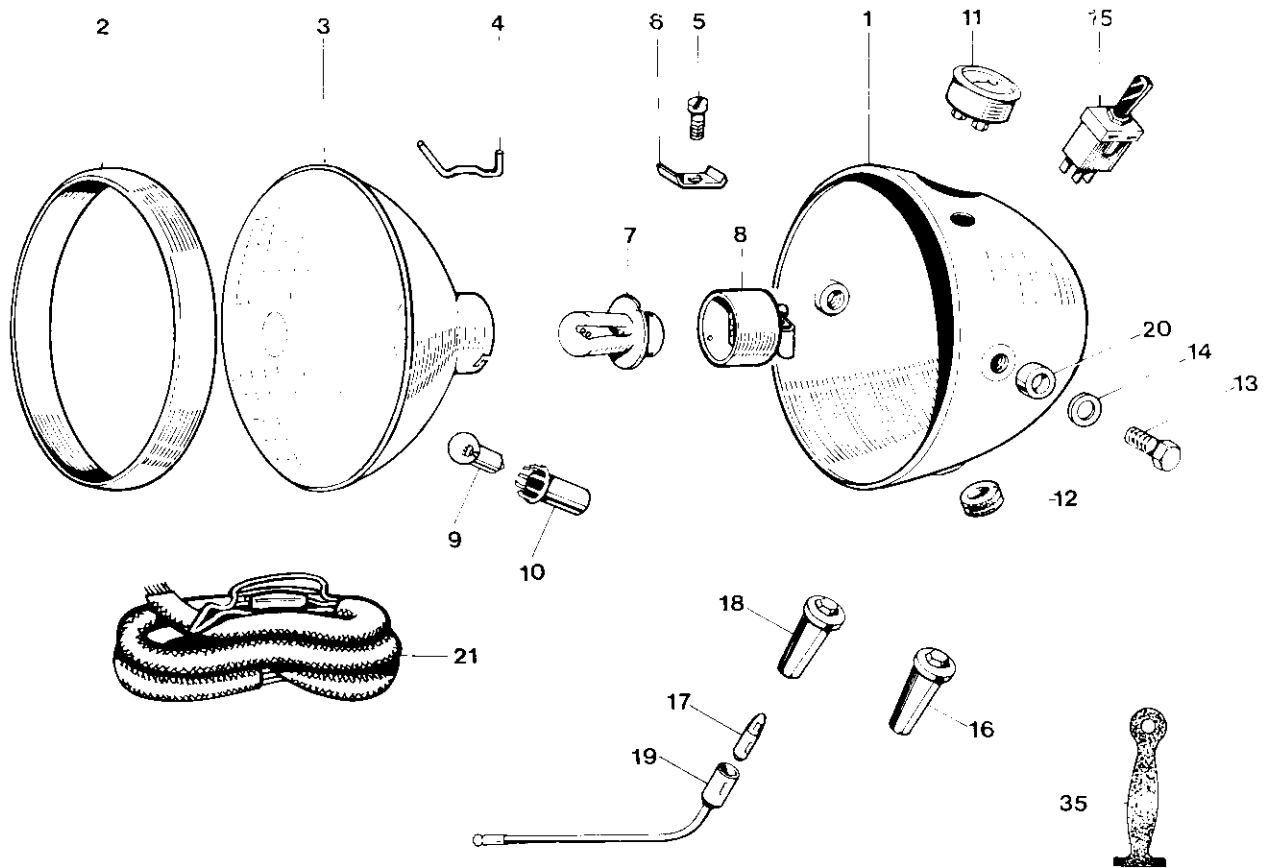


Fig. 33. HEADLAMP, WIRING HARNESS, SWITCHES AND TAIL LAMP

**HEADLAMP, WIRING HARNESS, SWITCHES AND TAIL LAMP**

1	99-0608	HEADLAMP COMPLETE TYPE SS700P (59883) <i>\$56.50</i>	1	
1	54523508	Shell only	1	
2	99-0692	Rim (553248)	1	
3	99-0686	Light unit (516798)	1	
4	99-0683	Fixing wire (504665)	6	
5	144921	Screw	1	
6	99-0690	Plate (534296)	1	
7	99-0545	Bulb (50/40W vert dip pre focus) (446)	1	
8	99-1003	Main bulbholder (54520540)	1	
9	99-0548	Bulb (6W MCC) (989)	1	
10	99-0695	Pilot bulbholder (554710)	1	
11	99-1044	Ammeter, type 2AR (36403)	1	
12	862217	Grommet	1	
13	112201	Bolt	2	
14	137498	Plain washer	2	
15	99-0563	Lighting switch (35710)	1	
16	99-0568	Warning light body (red) (38189)	1	
17	99-0537	Bulb (2W BA7S) (281)	1	
18	99-0569	Warning light body (green) (38191)	1	
19	99-0803	Warning bulbholder (54945043)	2	
20	H1932	Distance piece	1	
21	99-1045	Wiring harness (54955257)	1	
22	99-0597	Stop and tail lamp, type L679 (53973)	1	
23	99-1046	Lens (54577109)	1	
24	144921	Screw	2	
25	99-0783	Bulb holder with reflector (54574348)	1	
26	99-0701	Contact assembly (573828)	1	
27	99-0542	Bulb (6/12W offset pin) (380)	1	
28	99-0780	Gasket (54571677)	1	
29	127684	Screw	1	
30	99-0558	Ignition switch, type S45 (31899)	1	
31	54130041	Nut	1	
32	F6981	Ignition lock c/w keys	1	
33	D622	Ignition key (state serial No.)	as required	
34	H2262	Ignition switch cover	1	
35	D343/3	Ignition rubber cable clip (rear lamp)	1	